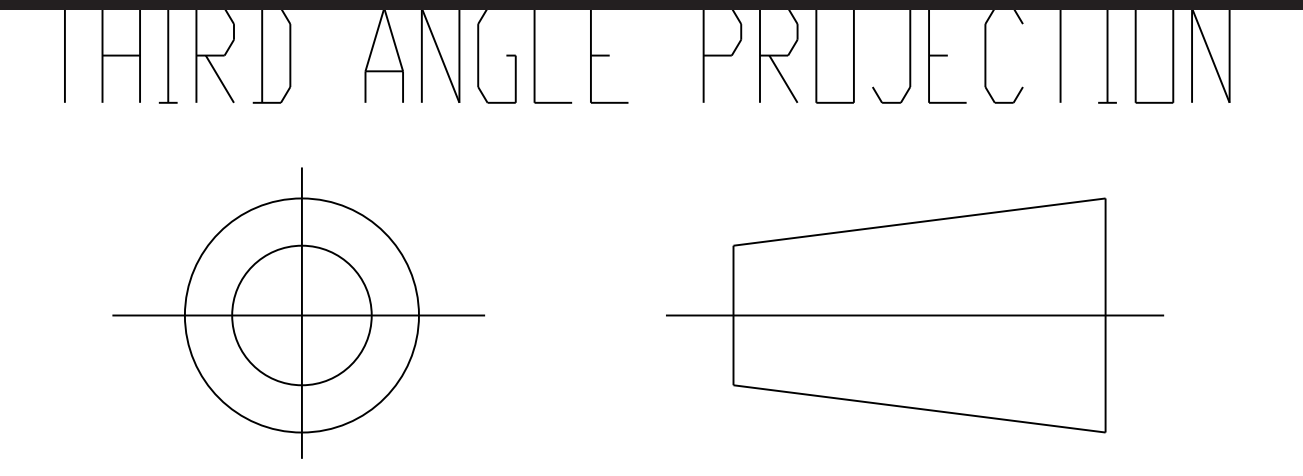


DRAWING No.  
152030

SHT. 1  
OF  
1 SHTS.

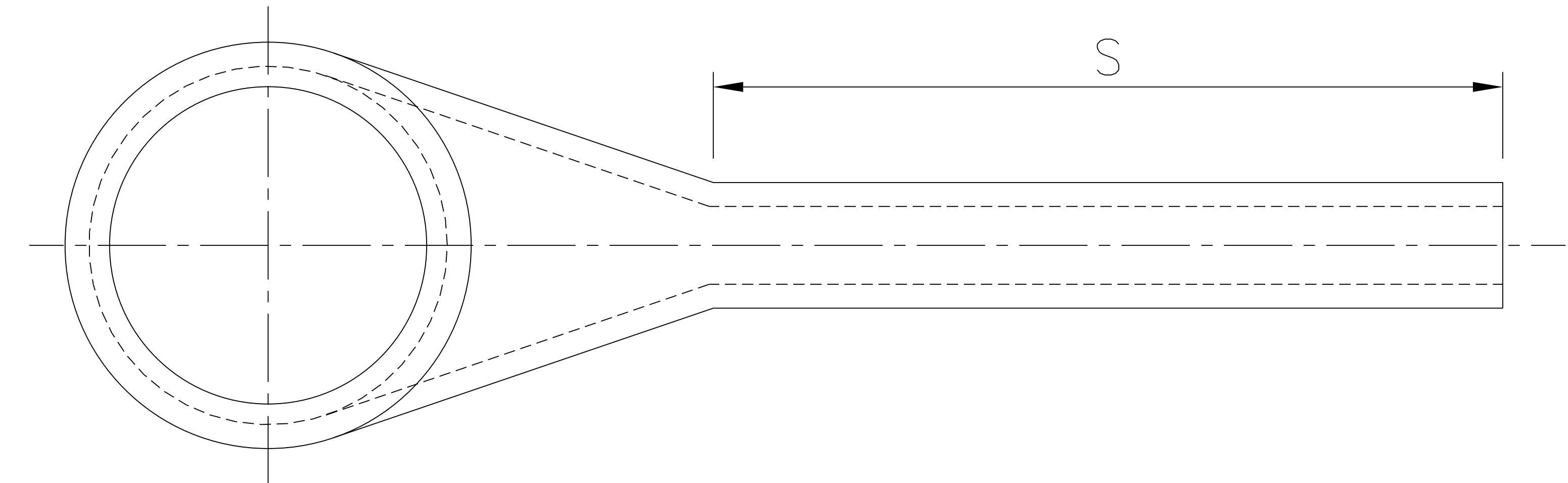
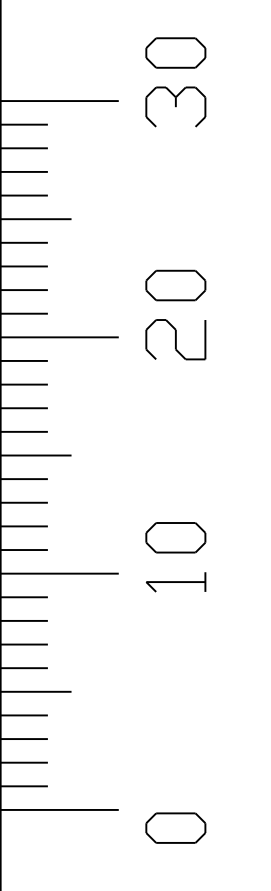
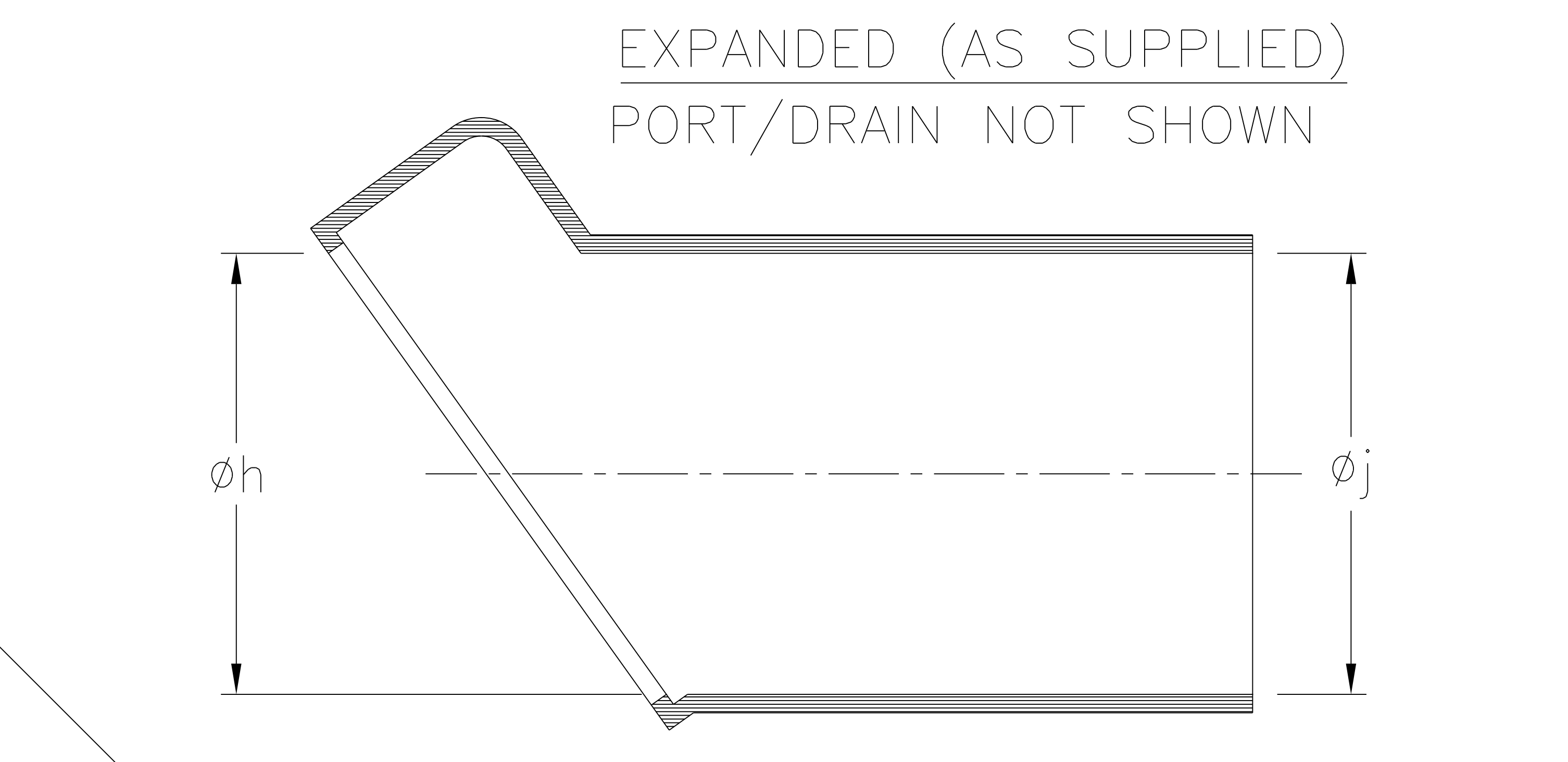
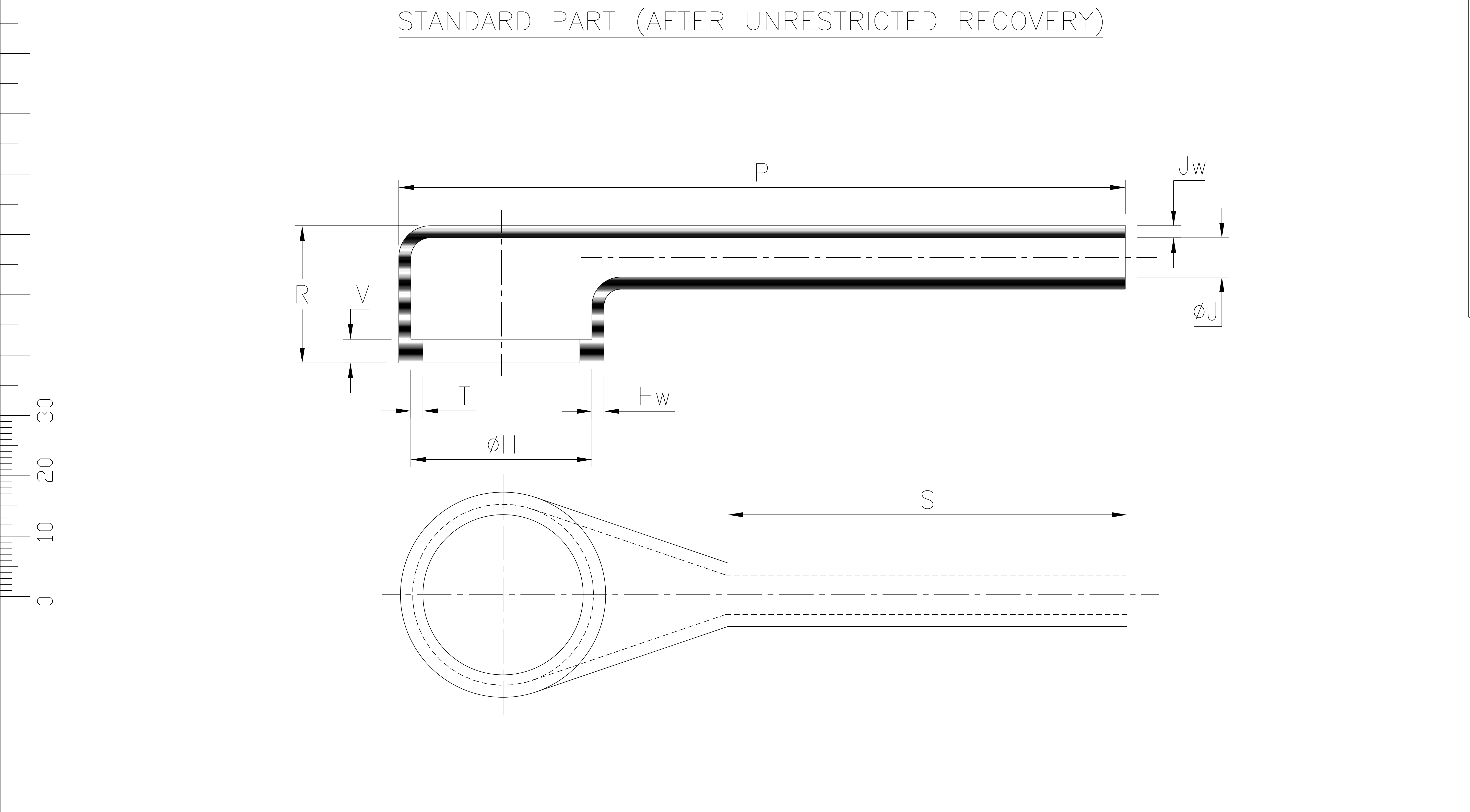
© THE COPYRIGHT OF THIS DRAWING IS RESERVED BY HELLERMANN TYTON. IT IS ISSUED ON CONDITION THAT IT IS NOT COPIED, REPRODUCED OR DISCLOSED TO A THIRD PARTY EITHER WHOLLY OR IN PART WITHOUT THE CONSENT IN WRITING OF HELLERMANN TYTON.



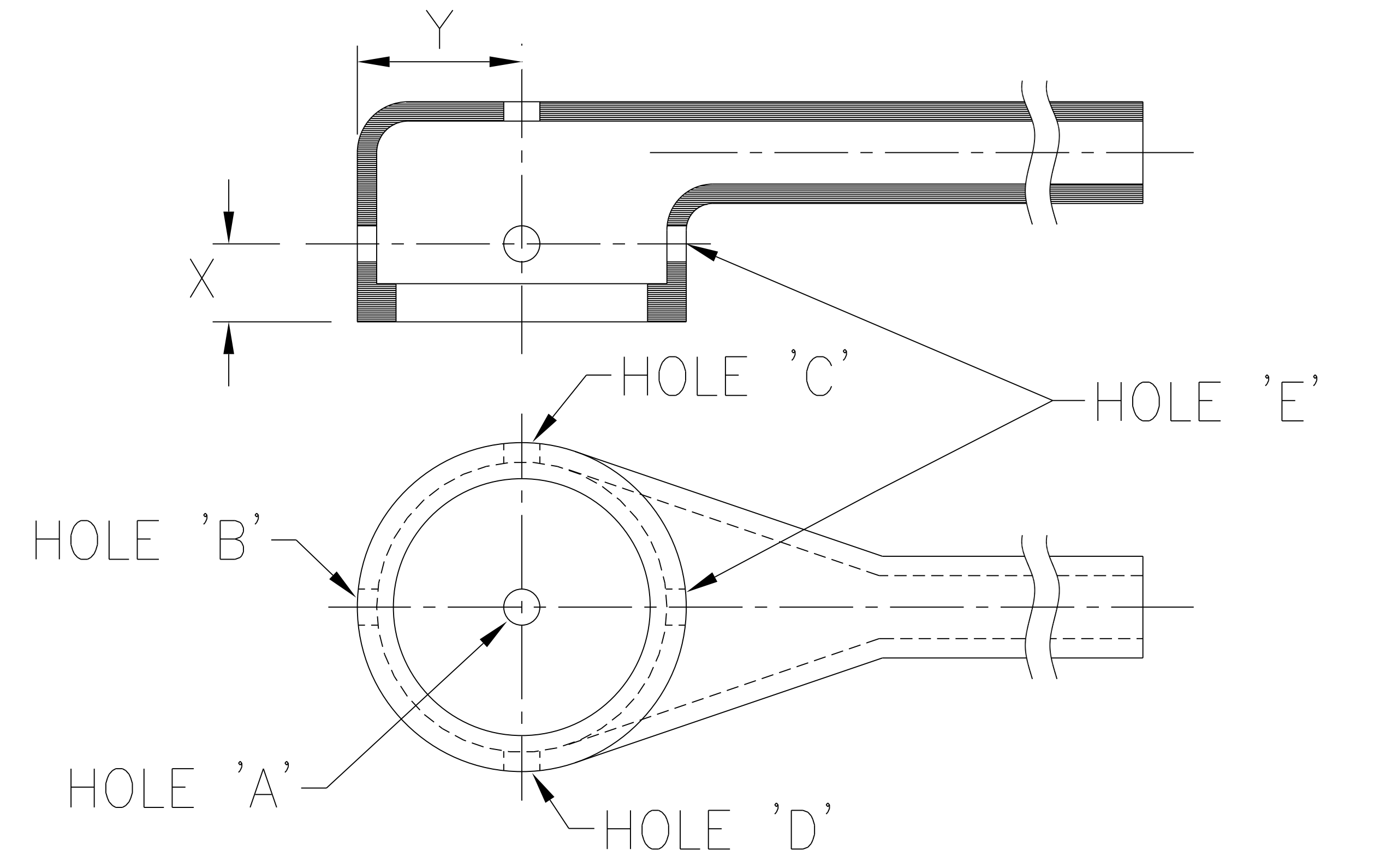
BS 8888

DO NOT SCALE  
IF IN DOUBT ASK

Q.A.	H/S SETT
H/S Q.A.	REL. INSP.
H/S PROD	EXT. ISS. CODE 12



OPTIONS TO STANDARD PART  
FILLER PORT/DRAIN HOLES (CODES P, D AND P1)



SPEC.	PART NO.	EXPANDED DIAMETERS (AS SUPPLIED)		RECOVERED DIAMETERS		RECOVERED DIMENSIONS						
		øh	øj	øH	øJ	P	R	S	T	V	Hw	Jw
		MIN	MIN	MAX	MAX	±10%	±10%	NOM	±20%	MAX	±20%	±30%
VG 95343 T06F008A	1128-1	62.5 (2.46)	62.5 (2.46)	47 (1.85)	18 (.71)	133 (5.24)	33 (1.30)	74 (2.91)	2.0 (.08)	3.3 (.13)	2.5 (.10)	1.4 (.055)
Mil Spec	1128-4	62.7 (2.47)	62.7 (2.47)	47 (1.85)	18 (.71)	227.3 (8.95)	33.3 (1.31)	168.3 (6.63)	2.0 (.08)	3.3 (.13)	2.5 (.10)	1.4 (.055)

OPTIONAL  
FILLER PORT/DRAIN HOLES DETAIL

SPEC.	PART NO.	RECOVERED DIMENSIONS	
		X	Y
		±20%	±20%
VG 95343 T07F008A	1128-1	22 (.87)	26 (1.02)
Mil Spec	1128-4	16.0 (.63)	26 (1.02)

CODE & TYPE	RECOVERED HOLE DETAILS
P FILLER PORT	HOLES 'A' & 'B' ONLY 'A' ø3mm NOM (.12) 'B' ø4.5mm NOM (.18)
D DRAIN HOLES	4 HOLES 'A', 'B', 'C' and 'D' ALL 4 HOLES ø3mm NOM (.12)
P1 FILLER PORT (ALT)	HOLE 'B' ONLY 'B' ø4.5mm NOM (.18)
D5 DRAIN	5 HOLES 'A', 'B', 'C', 'D' and 'E'

ISSUE	NOTE No.	DRAWN	DATE
3	P1526	DC	13/11/15
2	P1344	C.M.	03/10/11
1	P1184	S.Almond	20/03/08

**HellermannTyton**  
William Prance Road,  
Plymouth International Med. & Tech. Park,  
Plymouth, PL6 5WR  
Tel ++44 (0) 1752 701261  
Fax ++44 (0) 1752 790058

NAME	S.Almond	SCALE	NTS	ADHESIVE	A3	SHT. 1
DATE	20/03/08	DIMS IN	mm (in)		ORIGINAL SHEET SIZE 420mm x 297mm	OF 1 SHTS.
TITLE	RT. ANGLE SLEEVE		PART No.	1128	DRAWING No. 152030	