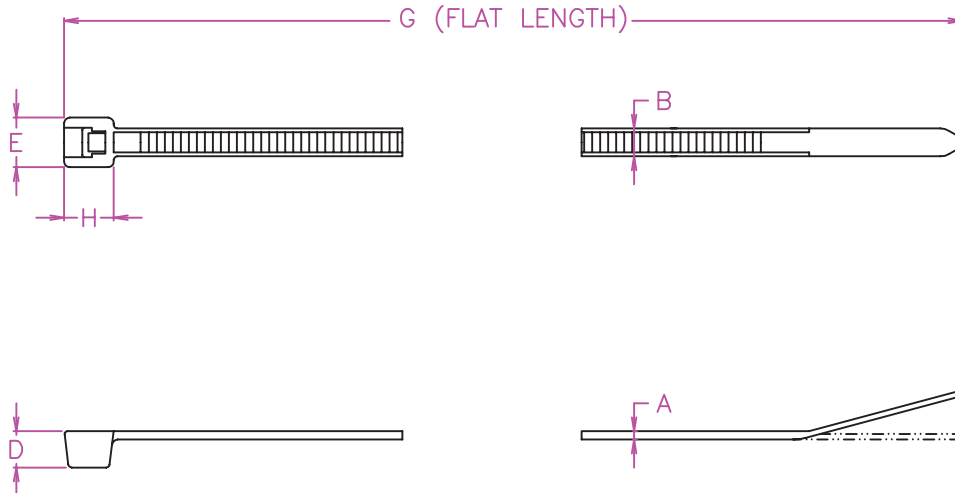


Revision Level		Revision Record	Changed	Date	Approval	Date
Part	Drawing					
	△	Dimension E was 7.0 ±0.5, Dimension G was 175.0 ±5.0, Bundle diameter was 1.5 to 45mm.	Mandy Ong	14-Dec-11	Edward Tan	14-Dec-11
	△	Added HT Global project Number.	SIMON NG	31-Aug-18	Edward Tan	31-Aug-18
	△	Update drawing layout.	SIMON NG	31-Aug-18	Edward Tan	31-Aug-18



A	B	D	△E	△G	H
1.15 ±0.2	4.0 ±0.2	5.0 ±0.3	6.5 ±0.6	180.0 ±5.0	7.0 ±0.5

Bundle ϕ Max.
 △ 1.5 ~ 40mm

Material
 P.A. 66

Tensile strength
 180N (Minimum)

PERFORMANCE SPECIFICATION

ACAD The copyright of this drawing is reserved by HELLERMANN TYTON. It is issued on condition that it is not reproduced, copied or disclosed to a third party, either wholly or in part, without the consent of HELLERMANN TYTON.	Drawn MANDY ONG 30 Mar 2007	Approved. EDWARD TAN 30 Mar 2007	Scale: 1 : 1 Reference:
	 545, Yishun Industrial Park A Yishun Avenue 7 Singapore 768741 Tel: (+65) 6852 8585 Fax: (+65) 6756 6798		Title T40R Drawing-No [SG07001-02] 13-0401-001-CSH △

Uncontrolled Document

Format
 △4
 Sheet 1 of 1