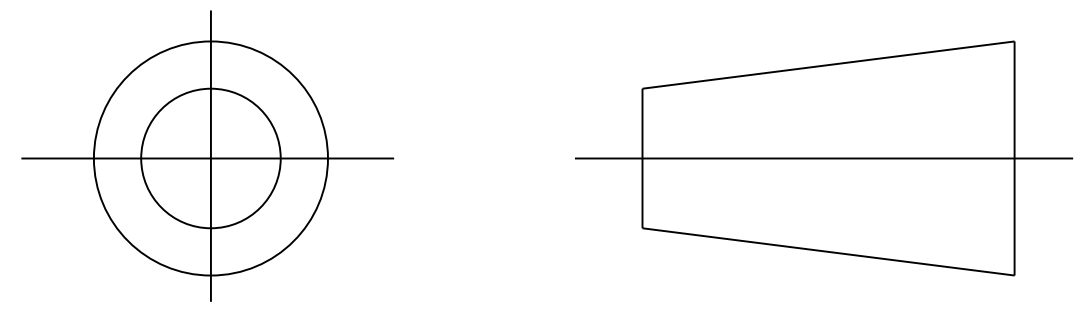


DRAWING No.  
152086

SHT. 1  
OF  
1 SHTS.

© THE COPYRIGHT OF THIS DRAWING IS RESERVED BY HELLERMANN TYTON. IT IS ISSUED ON CONDITION THAT IT IS NOT COPIED, REPRODUCED OR DISCLOSED TO A THIRD PARTY EITHER WHOLLY OR IN PART WITHOUT THE CONSENT IN WRITING OF HELLERMANN TYTON.

THIRD ANGLE PROJECTION

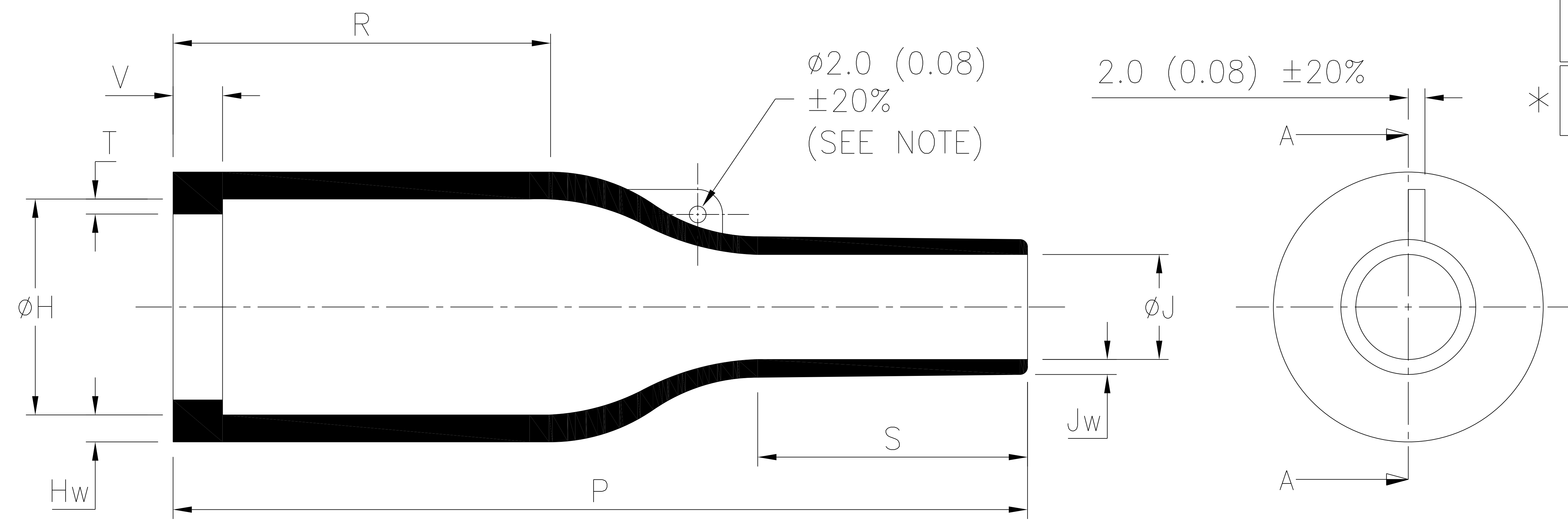


BS 8888

DO NOT SCALE  
IF IN DOUBT ASK

Q.A.	H/S SETT	5/12
H/S Q.A.	REL. INSP.	
H/S PROD	EXT. ISS. CODE	

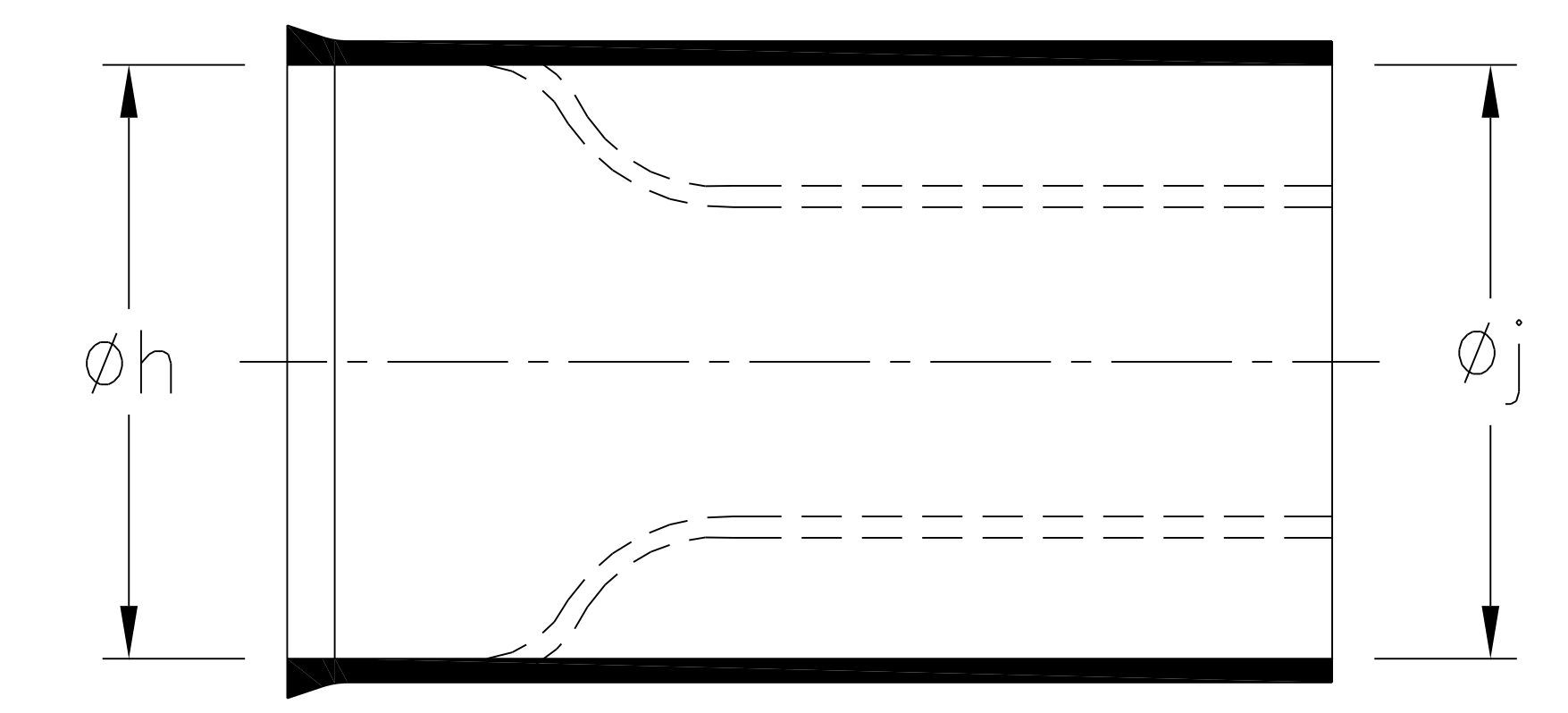
STANDARD PART (AFTER UNRESTRICTED RECOVERY)



DRAWING OFFICE TO NOTIFY DATABASE ADMINISTRATOR TO UPDATE PART NUMBER IF DRAWING IS UP ISSUED.

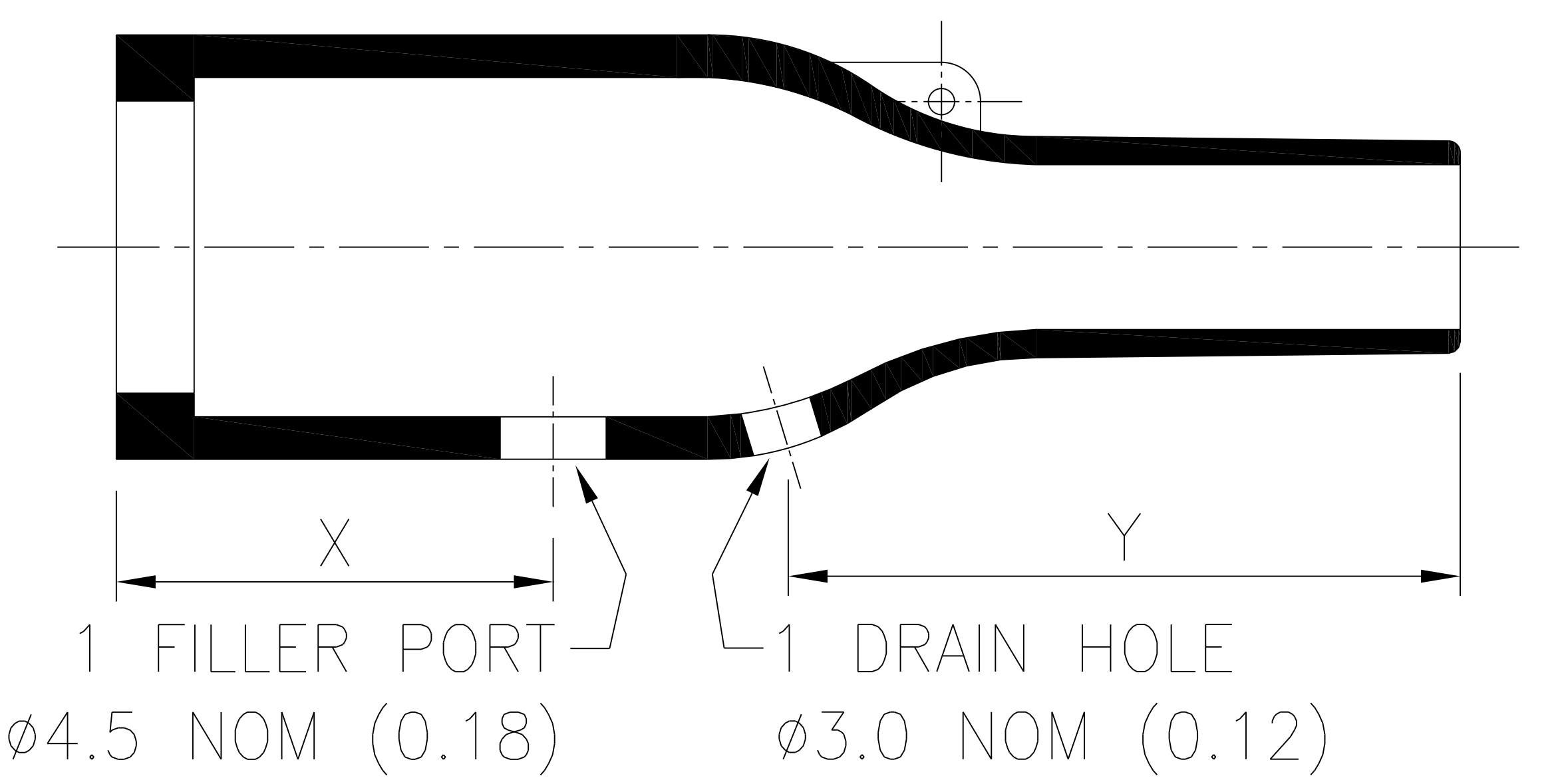
\* NOTE: NOT SUPPLIED WITH EYELETS AS STANDARD.

EXPANDED (AS SUPPLIED)

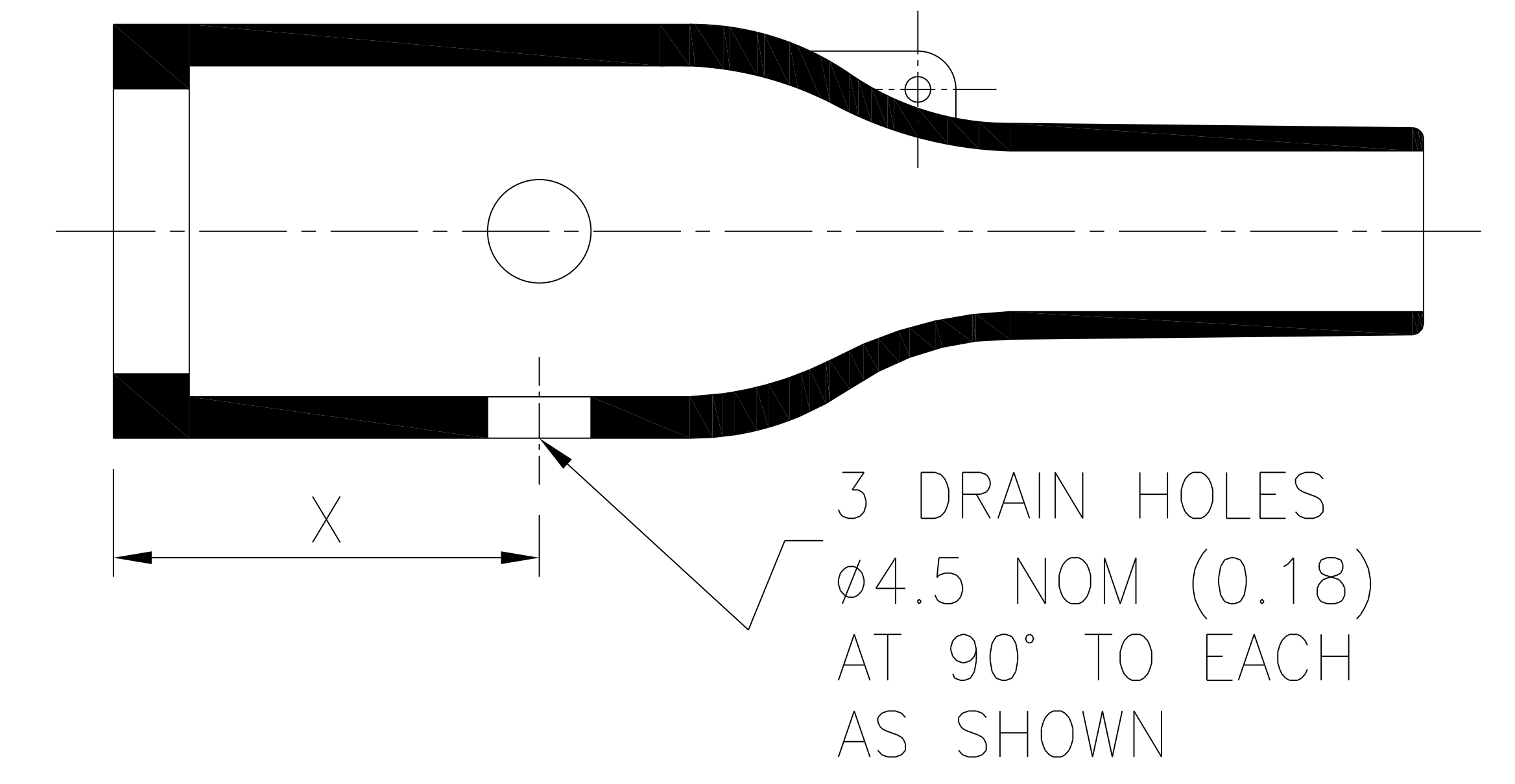


DASHED LINE INDICATES 155-51, 52, 53, 61 & 62 EXPANSION

OPTION TO STANDARD PART  
FILLER PORT (CODE P)



OPTION TO STANDARD PART  
FILLER PORT (CODE D3)



SECTION A-A

SPEC.	PART No.	EXPANDED DIAMETERS (AS SUPPLIED)		RECOVERED DIAMETERS		RECOVERED DIMENSIONS						
		phi_h	phi_j	phi_H	phi_J	P	R	S	T	V	Hw	Jw
		MIN	MIN	MAX	MAX	±10%	NOM	NOM	±20%	MAX	±20%	±30%
-	155-12	36 (1.42)	36 (1.42)	18 (0.71)	7 (0.28)	67 (2.64)	35 (1.38)	18 (0.71)	1.0 (0.04)	3.3 (0.13)	1.8 (0.07)	1.0 (0.04)
VG 95343 T06A004A	155-41	31 (1.22)	31 (1.22)	18 (0.71)	7 (0.28)	47 (1.85)	15 (0.59)	18 (0.71)	1.0 (0.04)	3.3 (0.13)	1.8 (0.07)	1.0 (0.04)
VG 95343 T06B004A	155-42	31 (1.22)	31 (1.22)	18 (0.71)	7 (0.28)	67 (2.64)	35 (1.38)	18 (0.71)	1.0 (0.04)	3.3 (0.13)	1.8 (0.07)	1.0 (0.04)
* -	155-51	29.2 (1.15)	15 (0.59)	18 (0.71)	7.3 (0.29)	47 (1.85)	15 (0.59)	18 (0.71)	1.0 (0.04)	3.3 (0.13)	1.8 (0.07)	1.0 (0.04)
* -	155-52	29.2 (1.15)	15 (0.59)	18 (0.71)	7.3 (0.29)	67 (2.64)	35 (1.38)	18 (0.71)	1.0 (0.04)	3.3 (0.13)	1.8 (0.07)	1.0 (0.04)
* -	155-53	31 (1.22)	18 (0.71)	18 (0.71)	7.3 (0.29)	67 (2.64)	35 (1.38)	18 (0.71)	1.0 (0.04)	3.3 (0.13)	1.8 (0.07)	1.0 (0.04)
VG 95343 T29A004A	155-61	31 (1.22)	18 (0.71)	18 (0.71)	7 (0.28)	47 (1.85)	15 (0.59)	18 (0.71)	1.0 (0.04)	3.3 (0.13)	1.8 (0.07)	1.0 (0.04)
VG 95343 T29B004A	155-62	31 (1.22)	18 (0.71)	18 (0.71)	7 (0.28)	67 (2.64)	35 (1.38)	18 (0.71)	1.0 (0.04)	3.3 (0.13)	1.8 (0.07)	1.0 (0.04)

OPTIONAL  
FILLER PORT DETAIL

SPEC.	PART No.	RECOVERED DIMENSIONS	
		X	Y
		±20%	±20%
-	155-12	25 (0.98)	32 (1.26)
VG 95343 T07A004A	155-41	12 (0.47)	25 (0.98)
VG 95343 T07B004A	155-42	25 (0.98)	32 (1.26)
-	155-51	12 (0.47)	25 (0.98)
-	155-52	25 (0.98)	32 (1.26)
-	155-53	25 (0.98)	32 (1.26)
-	155-61	12 (0.47)	25 (0.98)
-	155-62	25 (0.98)	32 (1.26)

**HellermannTyton**

William Prance Road,  
Plymouth International Med. & Tech. Park,  
Plymouth, PL6 5WR  
Tel ++44 (0) 1752 701261  
Fax ++44 (0) 1752 790058

NAME S.Almond SCALE NTS  
DATE 14/04/08 DIMS IN mm (in)

TITLE  
BOTTLE SLEEVE

ADHESIVE  
A3 ORIGINAL SHEET SIZE 420mm x 297mm  
SHT. 1 OF 1 SHTS.

PART No. 155 DRAWING No. 152086

ISSUE	NOTE No.	DRAWN	DATE
8	P1694	NS	04/03/19
7	P1588	KH	27/09/17
6	P1499	GL	24/02/15
5	P1466	CB	03/07/14
4	P1399	CM	03/01/13