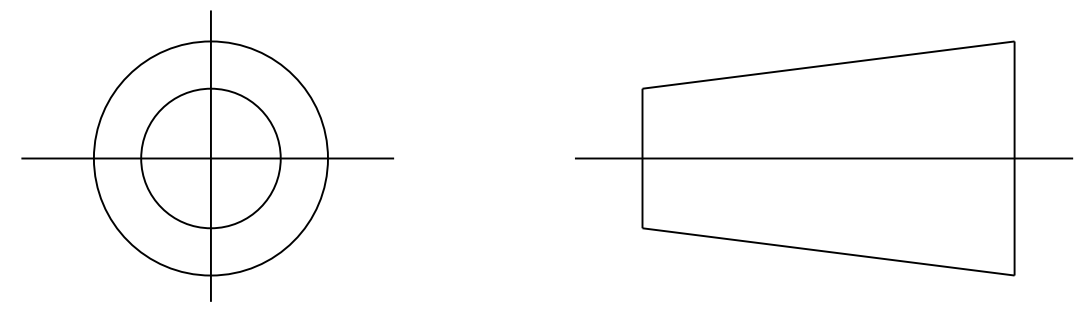


DRAWING No.
152102

SHT. 1
OF
1 SHTS.

© THE COPYRIGHT OF THIS DRAWING IS RESERVED BY HELLERMANN TYTON. IT IS ISSUED ON CONDITION THAT IT IS NOT COPIED, REPRODUCED OR DISCLOSED TO A THIRD PARTY EITHER WHOLLY OR IN PART WITHOUT THE CONSENT IN WRITING OF HELLERMANN TYTON.

THIRD ANGLE PROJECTION



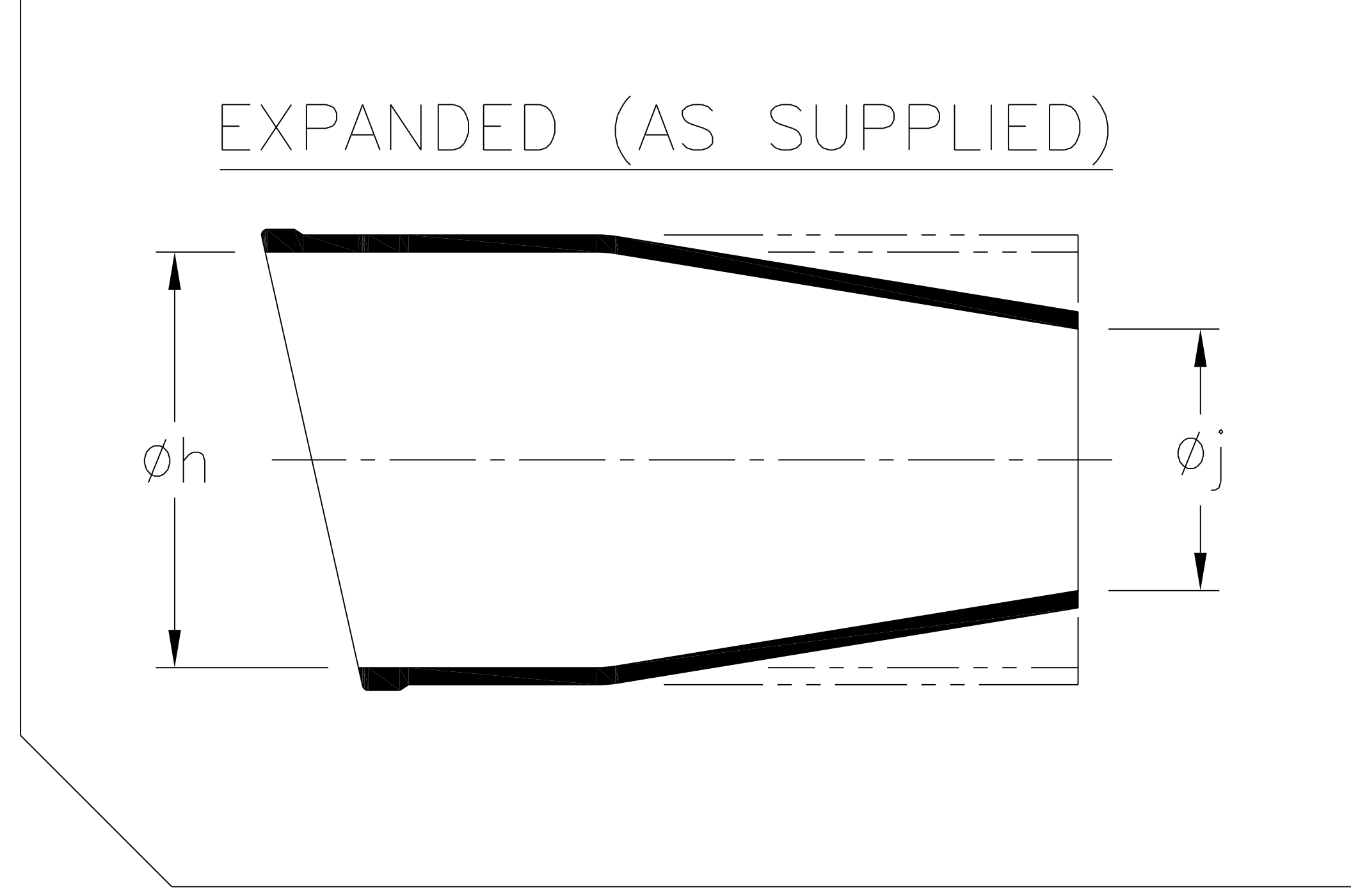
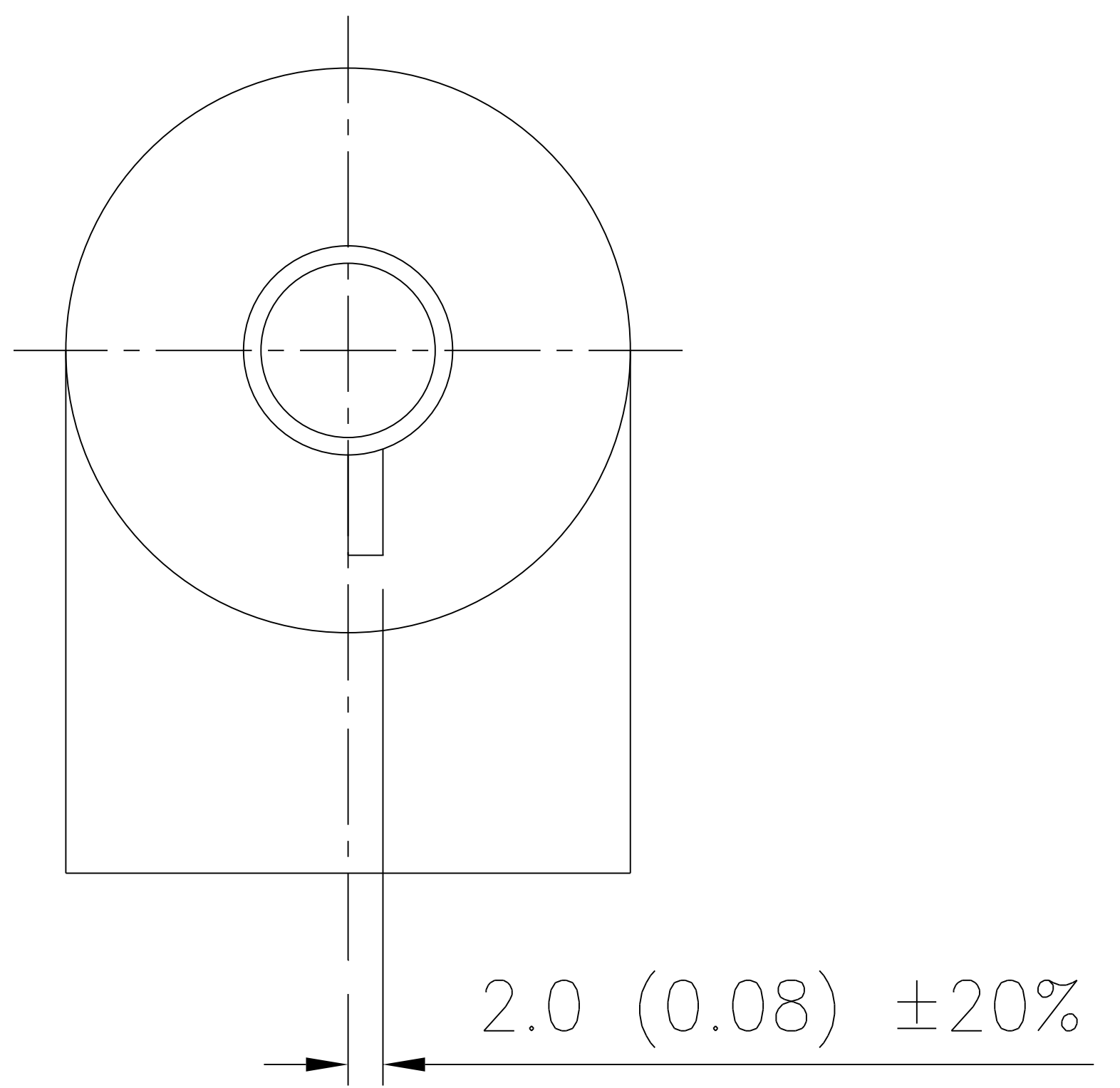
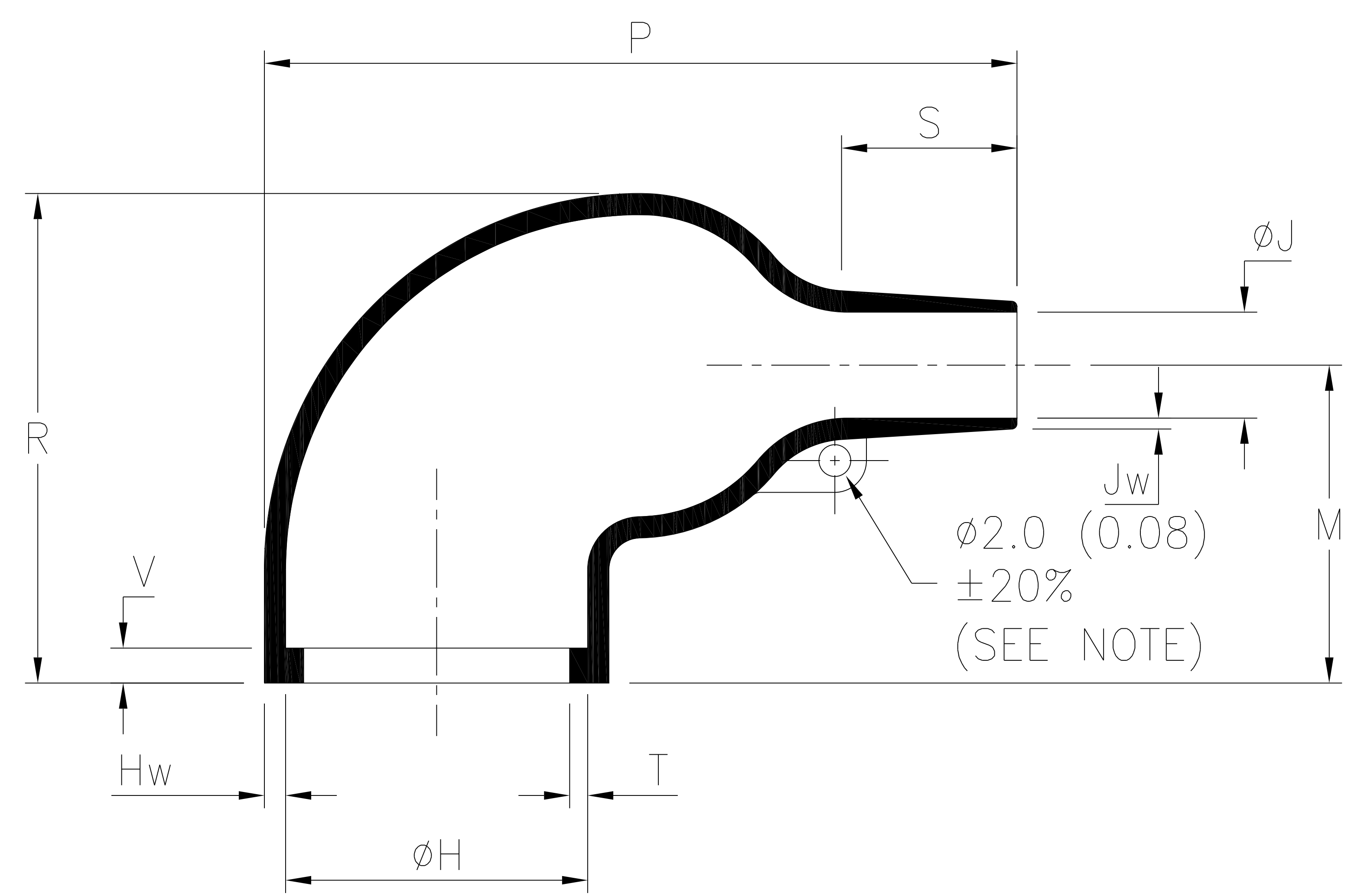
BS 8888

DO NOT SCALE
IF IN DOUBT ASK

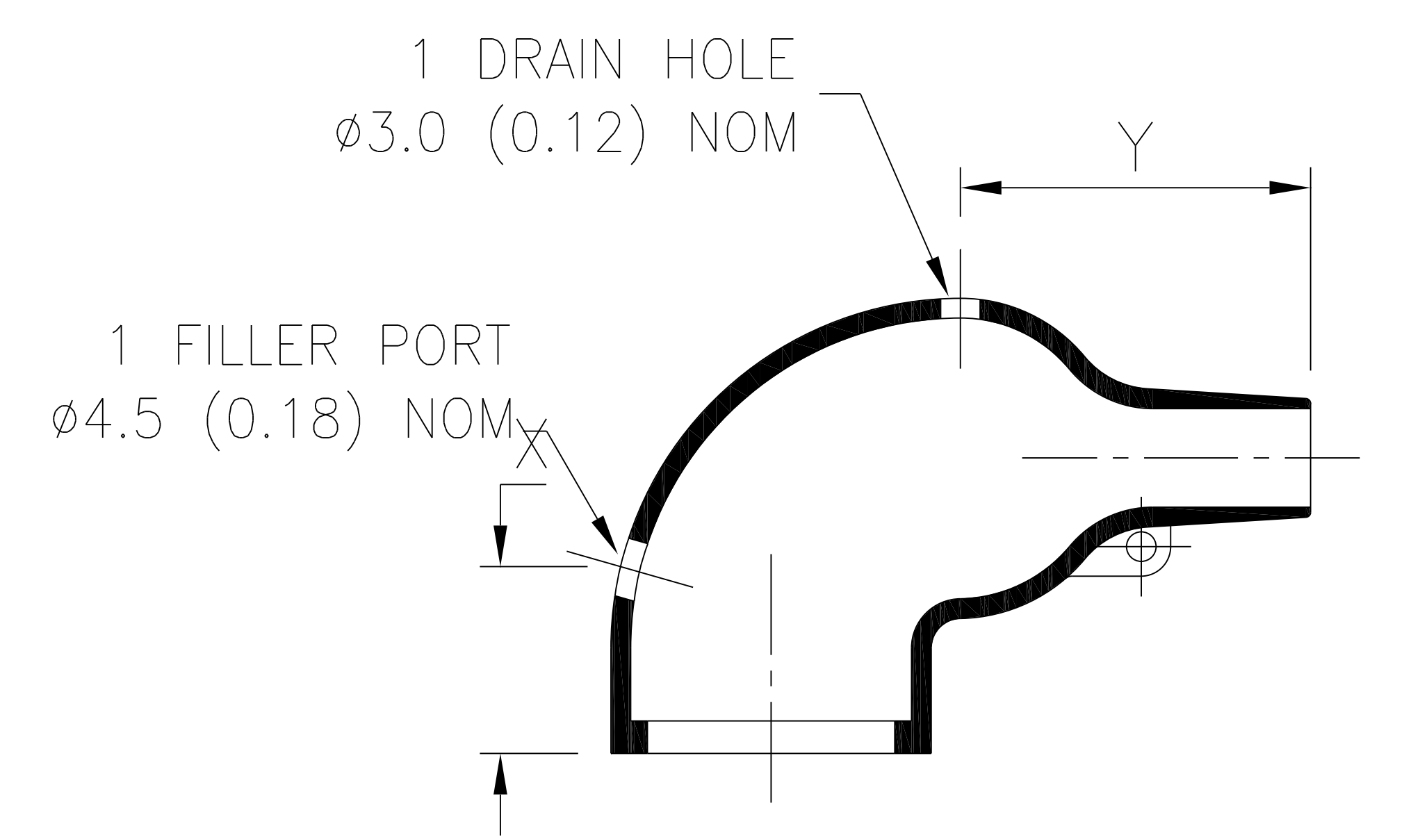
Q.A.	H/S SETT
H/S Q.A.	REL. INSP.
H/S PROD	EXT. ISS. CODE

DRAWING OFFICE TO NOTIFY DATABASE ADMINISTRATOR TO UPDATE PART NUMBER IF DRAWING IS UP ISSUED.
* NOTE: NOT SUPPLIED WITH EYELETS AS STANDARD.

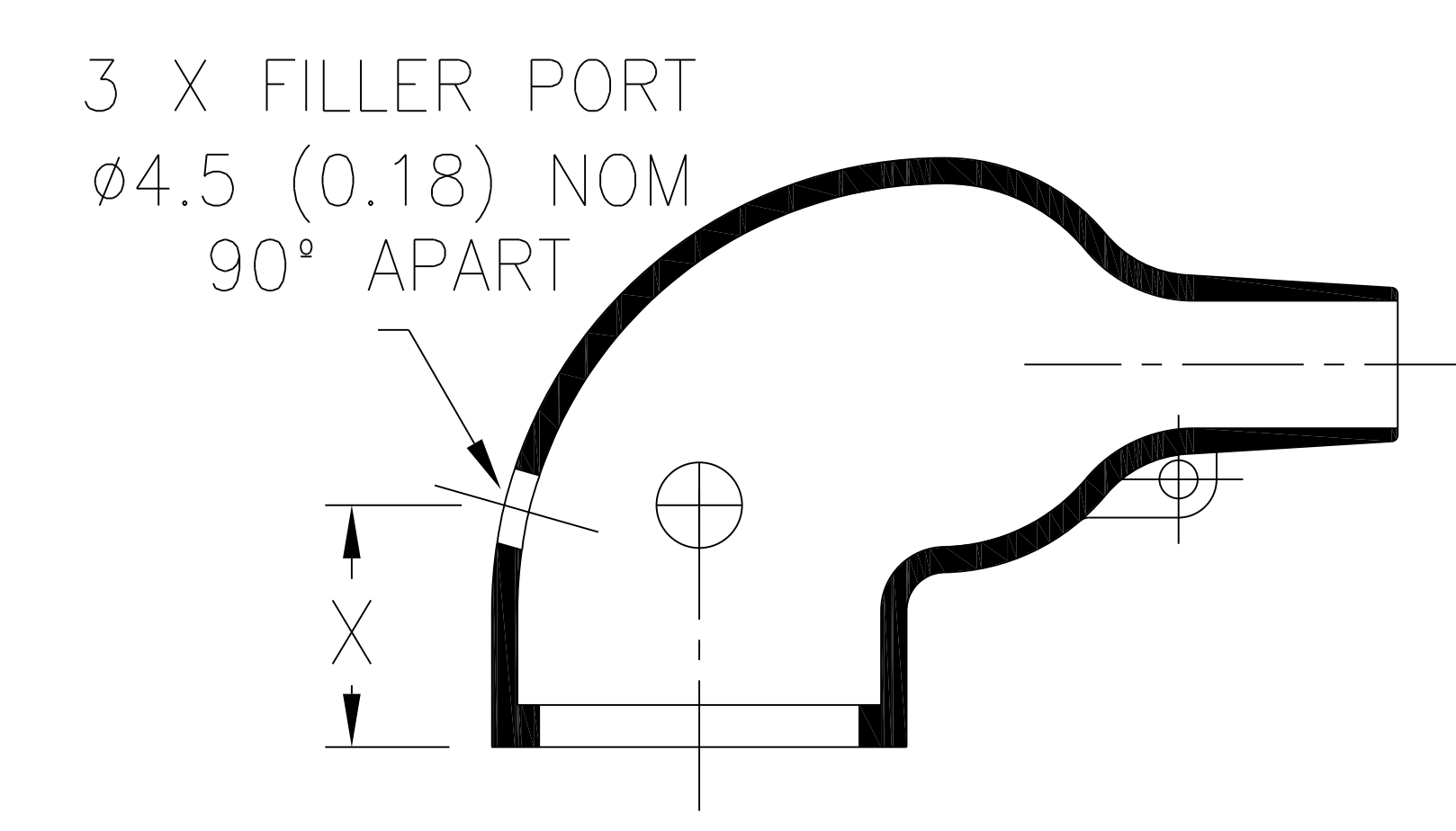
STANDARD PART (AFTER UNRESTRICTED RECOVERY)



OPTION TO STANDARD PART
FILLER PORT (CODE P)



OPTION TO STANDARD PART
DRAIN HOLES (CODE D3)



SPEC.	PART No.	EXPANDED DIAMETERS (AS SUPPLIED)		RECOVERED DIAMETERS		RECOVERED DIMENSIONS							
		phi h	phi j	phi H	phi J	M	P	R	S	T	V	Hw	Jw
		MIN	MIN	MAX	MAX	NOM	±20%	±10%	NOM	±20%	MAX	±20%	±30%
VG 95343 T06E003A	1155-4	31 (1.22)	31 (1.22)	18 (0.71)	7 (0.28)	21 (0.83)	51 (2.01)	31 (1.22)	15 (0.59)	1.0 (0.04)	3.3 (0.13)	1.8 (0.07)	1.0 (0.04)
-	1155-6	31 (1.22)	18 (0.71)	18 (0.71)	7 (0.28)	21 (0.83)	51 (2.01)	31 (1.22)	15 (0.59)	1.0 (0.04)	3.3 (0.13)	1.8 (0.07)	1.0 (0.04)
-	1155-9	35 (1.38)	35 (1.38)	18 (0.71)	7 (0.28)	21 (0.83)	51 (2.01)	31 (1.22)	15 (0.59)	1.0 (0.04)	3.3 (0.13)	1.8 (0.07)	1.0 (0.04)
* -	1155-50	28 (1.10)	14 (0.55)	18 (0.71)	7 (0.28)	21 (0.83)	51 (2.01)	31 (1.22)	15 (0.59)	1.0 (0.04)	3.3 (0.13)	2.0 (0.08)	1.2 (0.06)

OPTIONAL FILLER PORT DETAIL (CODE P)			
SPEC.	PART No.	RECOVERED DIMENSIONS	
		X	Y
		±20%	±20%
VG 95343 T07E003A	1155-4	18 (0.71)	20 (0.79)
-	1155-6	18 (0.71)	20 (0.79)
-	1155-9	18 (0.71)	20 (0.79)
-	1155-50	18 (0.71)	20 (0.79)

OPTIONAL FILLER PORT DETAIL (CODE D3)			
SPEC.	PART No.	RECOVERED DIMENSIONS	
		X	
		±20%	
VG 95343 T07E003A	1155-4	22.0 (0.87)	
-	1155-6	22.0 (0.87)	
-	1155-9	22.0 (0.87)	
-	1155-50	22.0 (0.87)	

9	P1694	NS	04/03/19
8	P1617	KH	05/12/17
7	P1561	KH	07/02/17
6	P1499	GL	24/02/15
5	P1480	GB	29/09/14
ISSUE	NOTE No.	DRAWN	DATE

HellermannTyton
William Prance Road,
Plymouth International Med. & Tech. Park,
Plymouth, PL6 5WR
Tel ++44 (0) 1752 701261
Fax ++44 (0) 1752 790058

NAME	S.Almond	SCALE	NTS	ADHESIVE	A3 ORIGINAL SHEET SIZE 420mm x 297mm	SHT. 1 OF 1 SHTS.
DATE	18/04/08	DIMS IN	mm (in)			
TITLE	RIGHT ANGLE SLEEVE		PART No.	1155	DRAWING No.	152102