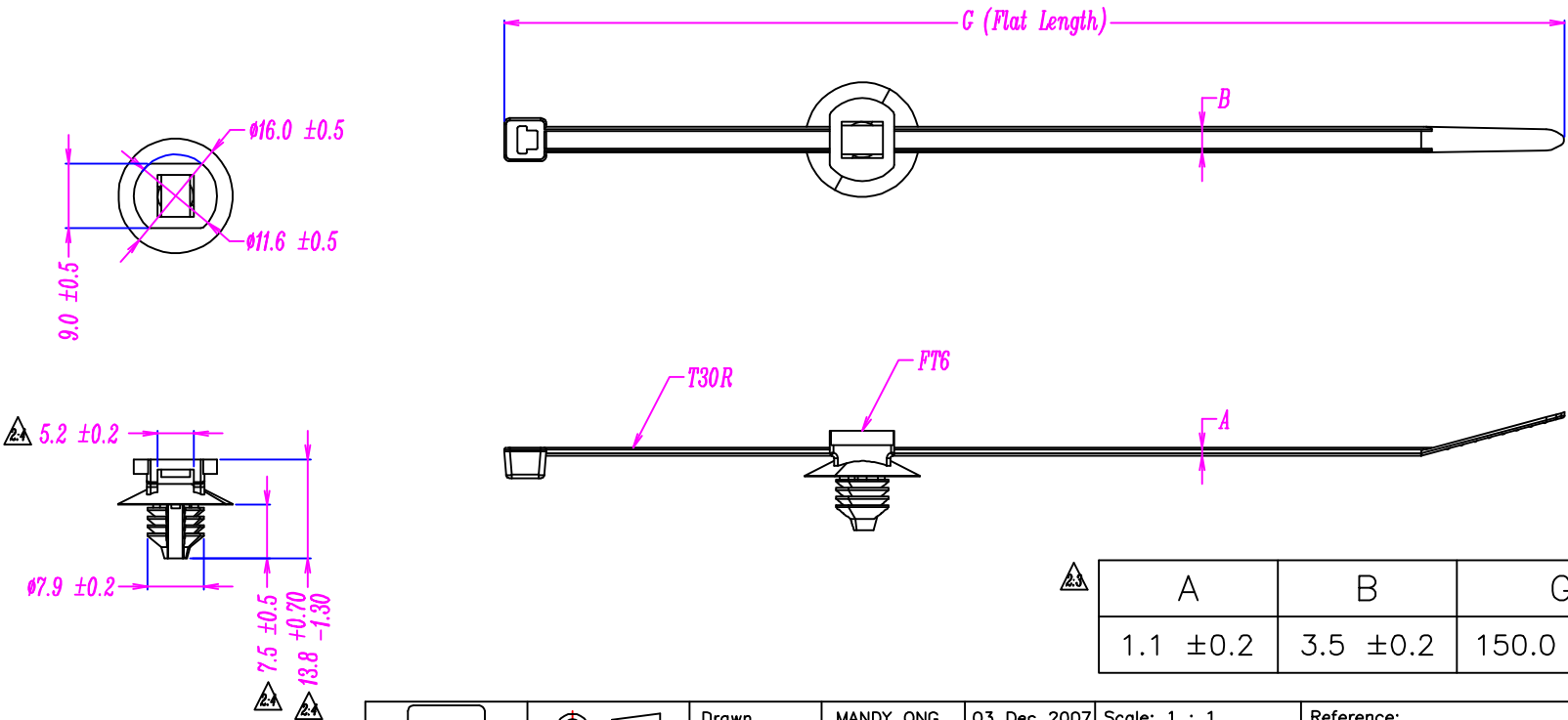


Revision Level		Revision Record	Changed	Date	Approval	Date
Part	Drawing					
	1	Remove bundle diameter	Mandy Ong	28-Jan-09	Edward Tan	28-Jan-09
	2	Updated pictogramme and drawing template.	SIMON NG	11-June-19	Edward Tan	11-June-19
	2.2	Added HT Global project Number.	SIMON NG	11-June-19	Edward Tan	11-June-19
	2.3	Remove "D", "E" and "H" from cable tie dimensions chart	SIMON NG	11-June-19	Edward Tan	11-June-19
	2.4	(Requested by Amanda Harris to update drawing dimension and tolerance according to drawing no. NT14.1164) 1. Update hole size from $\phi 6.5 \sim \phi 7.0$ to $\phi 6.4 \sim \phi 7.1$ mm 2. Update dimension from $5.0 \pm 0.2$ to $5.2 \pm 0.2$ mm 3. Update dimension from $13.5 \pm 1.0$ to $13.8 \pm 0.3$ mm 4. Update dimension from $7.2 \pm 0.5$ to $7.5 \pm 0.5$ mm	SIMON NG	11-June-19	Edward Tan	11-June-19
	3	Change GPN from 93-0077-002-CSH to 93-077-004-CSH	SIMON NG	14-June-19	Edward Tan	14-June-19



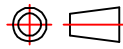
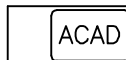
Hole Size :  
 $\phi 6.4 \sim \phi 7.1$ mm

Panel Thickness :  
 0.75 ~ 3.0mm

Material  
 P.A. 66

Tensile strength  
 135N (Minimum)

PERFORMANCE  
 SPECIFICATION



Drawn MANDY ONG 03 Dec 2007  
 Approved. EDWARD TAN 03 Dec 2007

Scale: 1 : 1

Reference:

The copyright of this drawing is reserved by HELLERMANN TYTON.

It is issued on condition that it is not reproduced, copied or disclosed to a third party, either wholly or in part, without the consent of HELLERMANN TYTON.

**HellermannTyton**

545, Yishun Industrial Park A  
 Yishun Avenue 7  
 Singapore 768741  
 Tel: (+65) 6852 8585  
 Fax: (+65) 6756 6798

Title

T30RFT6

Drawing-No [SG07031-03]

93-0077-004-CSH



Format  
 A4

Sheet 1 of 1

Uncontrolled Document