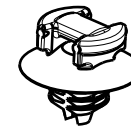
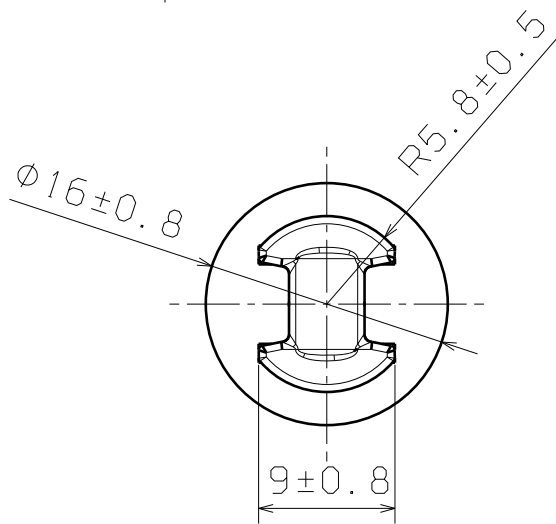
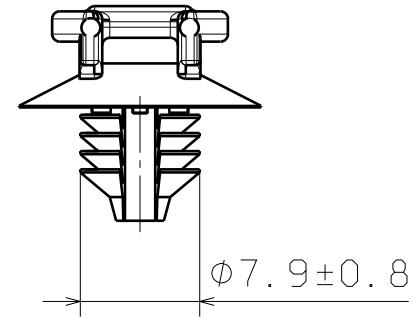
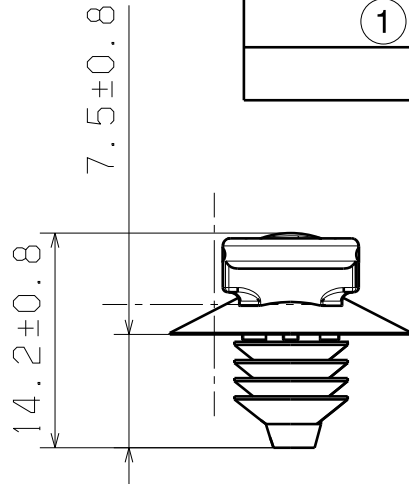
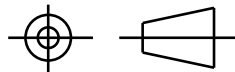


Revision NO 变更数	Revisions 变更项	Changed 修改者	Date 日期	Approved 确认者	Date 日期
①	GPN updated	Robert.Zhu	20190325	Kevin.Tang	20190325



Hole Size 适用孔径	Φ6.3-7.0mm
Panel Thickness 适用板厚	0.75-3.0mm

Material 材料	PA66HIRHS
-------------	-----------



Drawn/制图	Robert.Zhu	2016-06-23
Approved/审核	Jack.Hua	2016-06-23

Scale/比例	2:1
Title/品名	ATS-FT6

Dimension Units 尺寸单位mm	The copyright of this drawing is reserved by HellermannTyton.
---------------------------	---

PERFORMANCE 性能 SPECIFICATION 标准	it is issued on condition that it is not reproduced,copied or disclosed to a third party,either wholly or in part, without the consent of HellermannTyton.
--	--

The copyright of this drawing is reserved by HellermannTyton.
it is issued on condition that it is not reproduced,copied or disclosed to a third party,either wholly or in part, without the consent of HellermannTyton.

HellermannTyton
 海尔曼太通（无锡）电器配件有限公司
 (WUXI) Electrical Accessories Co.,Ltd.
 Tel:+86-510-5282536
 Fax:+86-510-5280112

Drawing-No/图号	①	Format/格式
03-0753-001-CSC		A4