

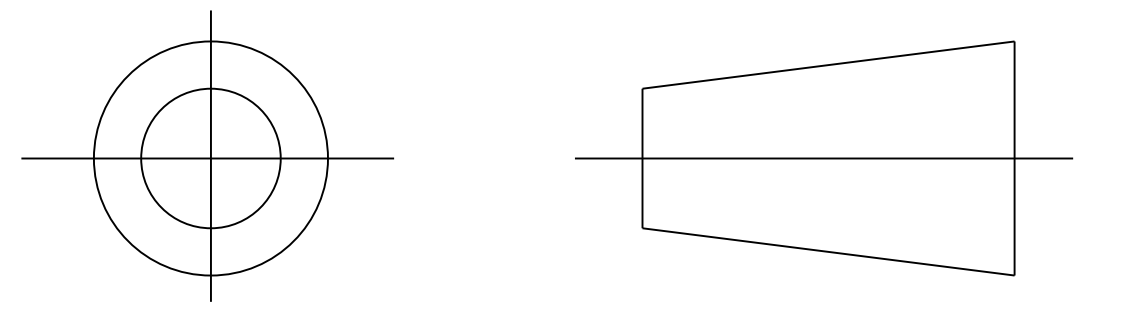
Heatshrinkable Moulded Shapes Bulbous Boots 4-Way Outlet HellermannTyton

DRAWING No.
152281

SHT. 1
OF
1 SHTS.

© THE COPYRIGHT OF THIS DRAWING IS RESERVED BY HELLERMANN TYTON. IT IS ISSUED ON CONDITION THAT IT IS NOT COPIED, REPRODUCED OR DISCLOSED TO A THIRD PARTY EITHER WHOLLY OR IN PART WITHOUT THE CONSENT IN WRITING OF HELLERMANN TYTON.

THIRD ANGLE PROJECTION

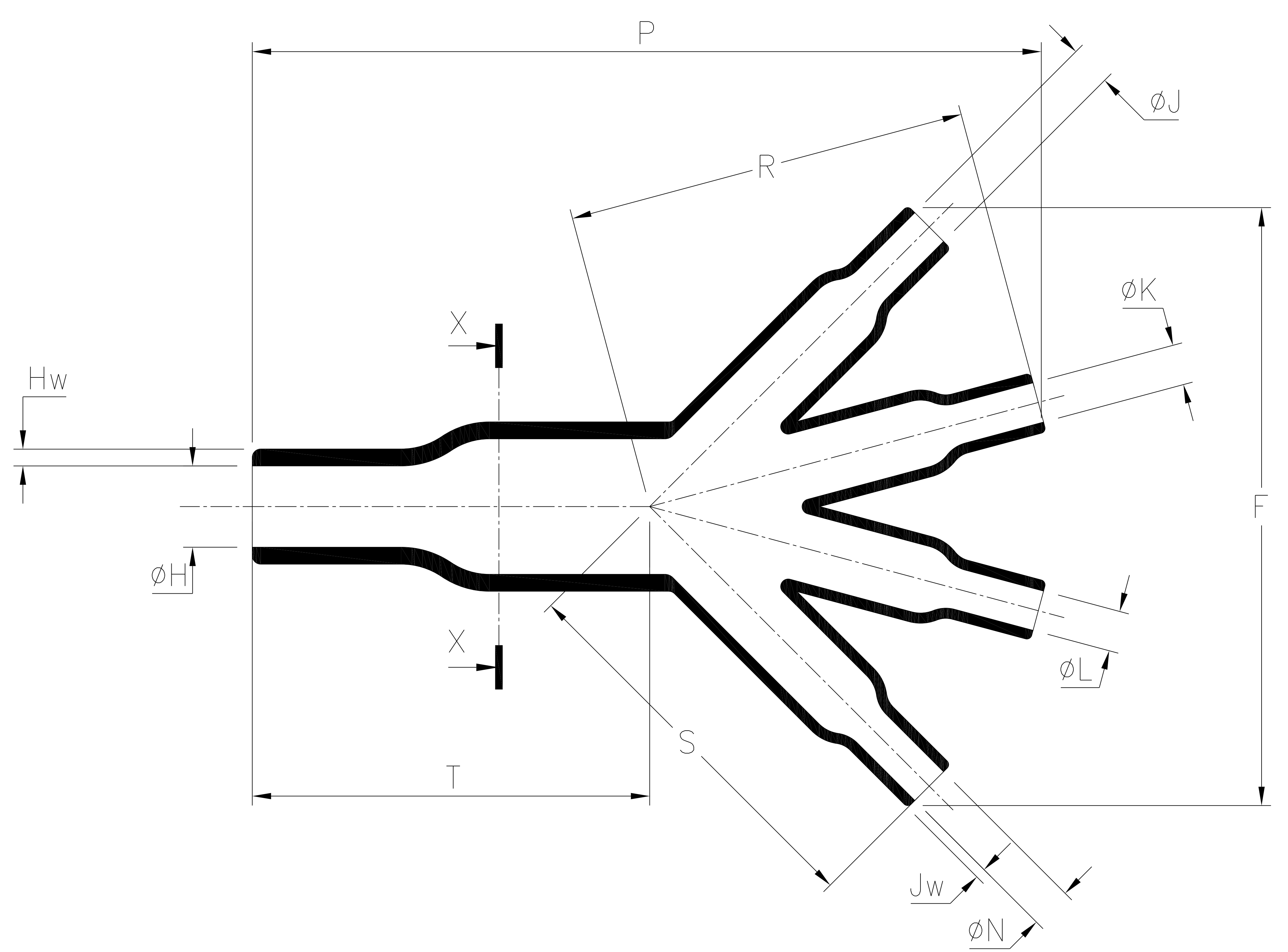


BS 8888

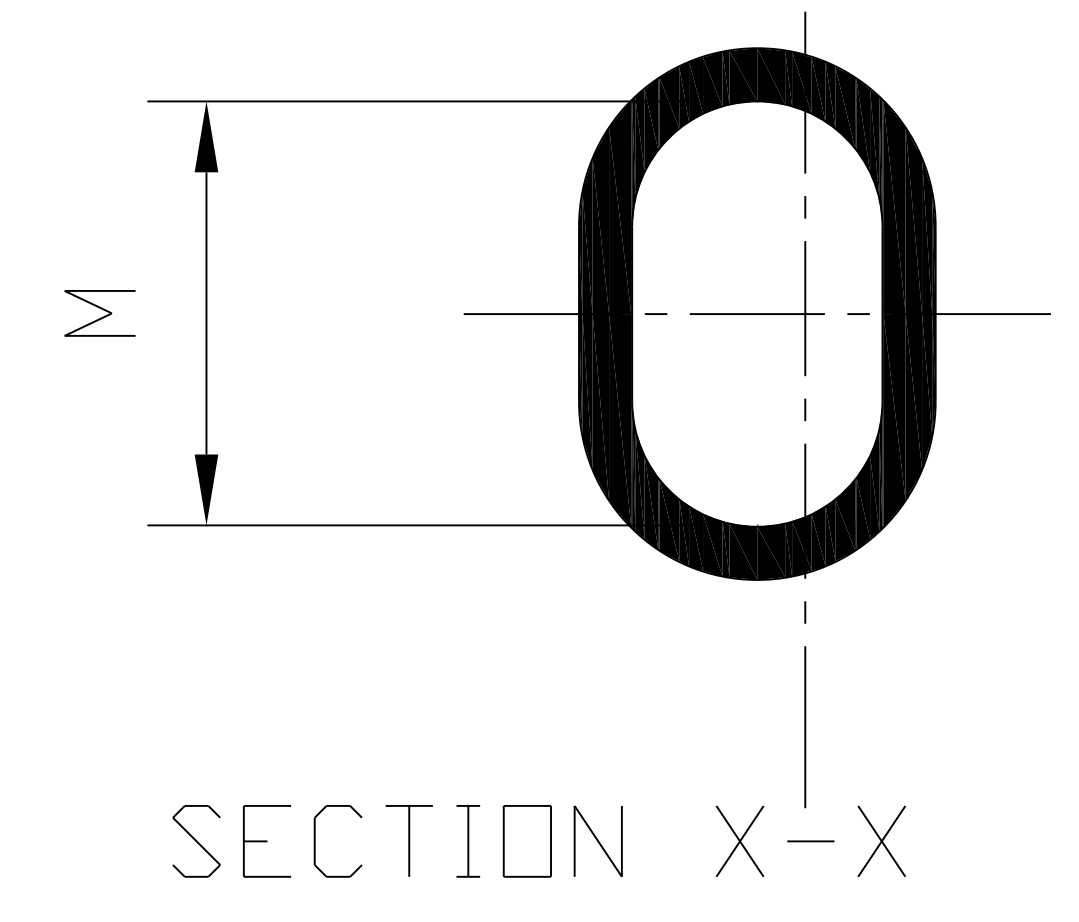
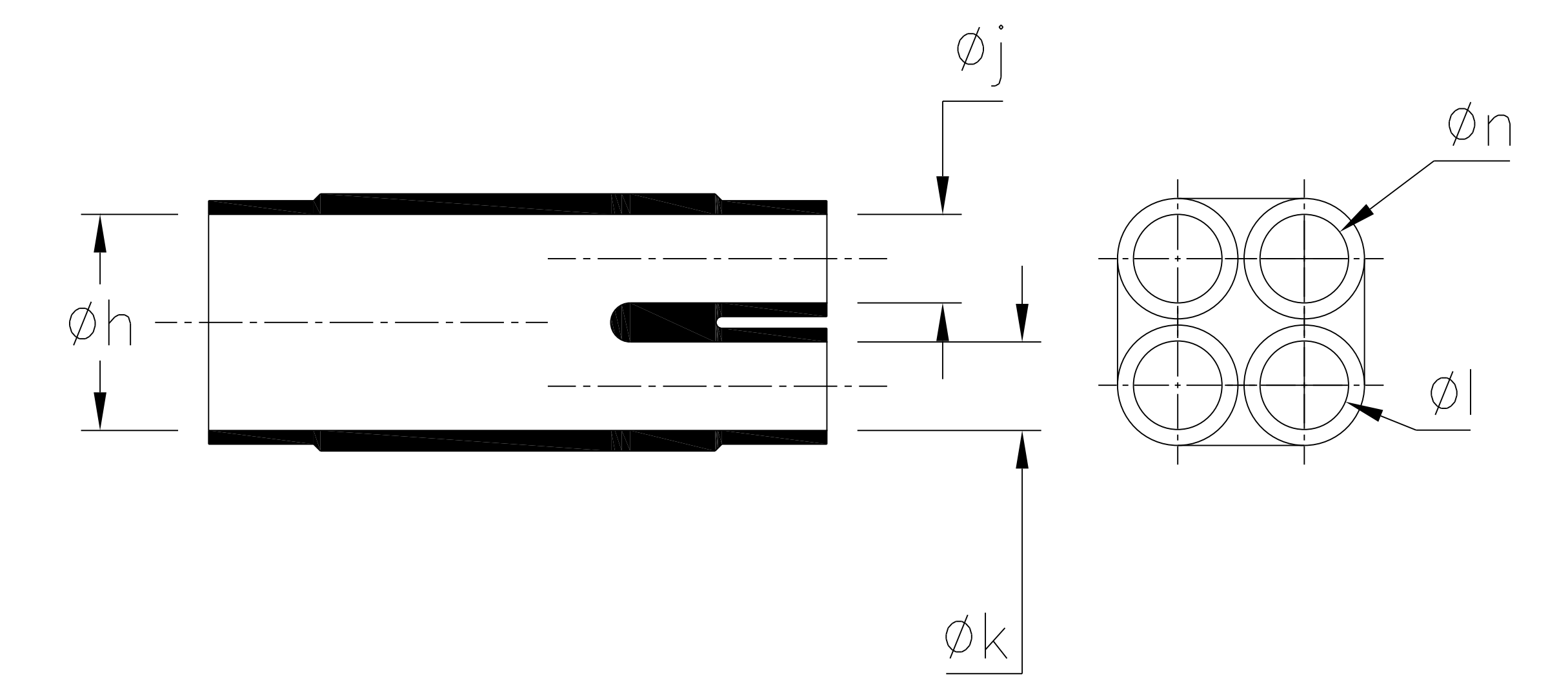
DO NOT SCALE
IF IN DOUBT ASK

Q.A.	H/S SETT
H/S Q.A.	REL. INSP.
H/S PROD	EXT. ISS. CODE 12

STANDARD PART (AFTER UNRESTRICTED RECOVERY)



EXPANDED (AS SUPPLIED)



VG 95 343	PART No.	EXPANDED DIAMETERS (AS SUPPLIED)		RECOVERED DIAMETERS		RECOVERED DIMENSIONS							
		Øh	Øj, Øk, Øl, Øn	ØJ, ØK, ØL, ØN	M	P	R	S	T	Hw	Jw		
		MIN	MIN	MAX	MAX	±15%	MAX	±15%	NOM	NOM	NOM	±30%	±30%
T08 E 002A	411-1	19.0 (0.75)	9.5 (0.37)	10.0 (0.39)	5.5 (0.22)	45.0 (1.77)	14.0 (0.55)	71.0 (2.80)	36.0 (1.42)	32.0 (1.26)	36.0 (1.42)	2.0 (0.08)	1.0 (0.04)
-	411-2	30.0 (1.18)	15.0 (0.59)	8.9 (0.35)	4.3 (0.17)	- (-)	- (-)	71.0 (2.80)	36.1 (1.42)	- (-)	- (-)	1.8 (0.07)	1.0 (0.04)

Heatshrinkable Moulded Shapes Bulbous Boots 4-Way Outlet HellermannTyton For information only, not subject to technical changes.

ISSUE	NOTE No.	DRAWN	DATE
2	P1503	CM	28/04/15
1	P1417	GB	04/07/13

HellermannTyton
 William Prance Road,
 Plymouth International Med. & Tech. Park,
 Plymouth, PL6 5WR
 Tel ++44 (0) 1752 701261
 Fax ++44 (0) 1752 790058

NAME	GB	SCALE	NTS
DATE	04/07/13	DIMS IN	mm (in)
TITLE	4 WAY OUTLET SLEEVE		

ADHESIVE	A3	SHT. 1
	ORIGINAL SHEET SIZE 420mm x 297mm	OF 1 SHTS.
PART No.	411	DRAWING No.
		152281