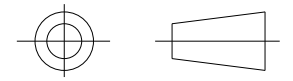


DRAWING No.  
**152002**

SHT. 1  
OF  
1 SHTS.

© THE COPYRIGHT OF THIS DRAWING IS RESERVED BY HELLERMANN TYTON. IT IS ISSUED ON CONDITION THAT IT IS NOT COPIED, REPRODUCED OR DISCLOSED TO A THIRD PARTY EITHER WHOLLY OR IN PART WITHOUT THE CONSENT IN WRITING OF HELLERMANN TYTON.

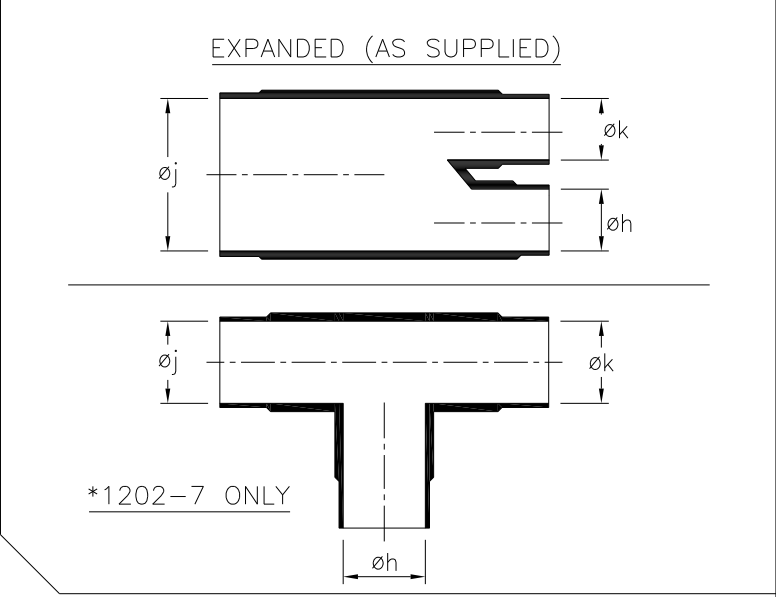
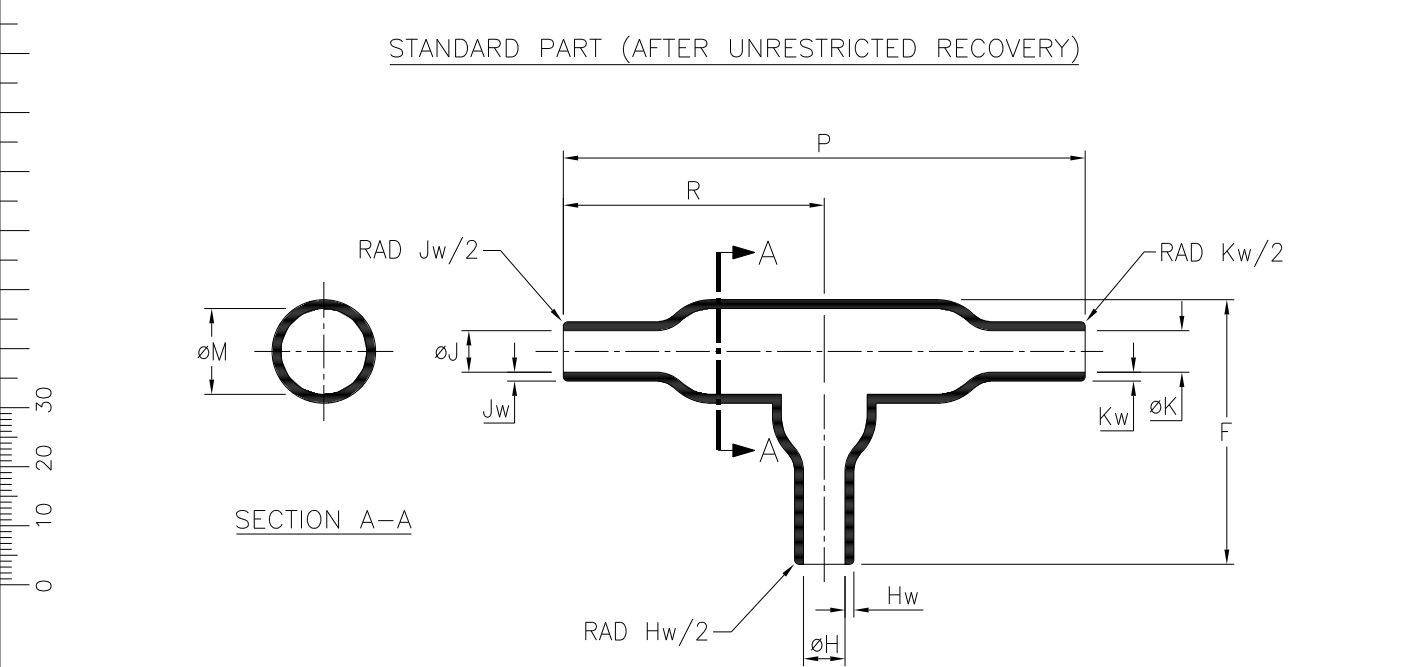
THIRD ANGLE PROJECTION



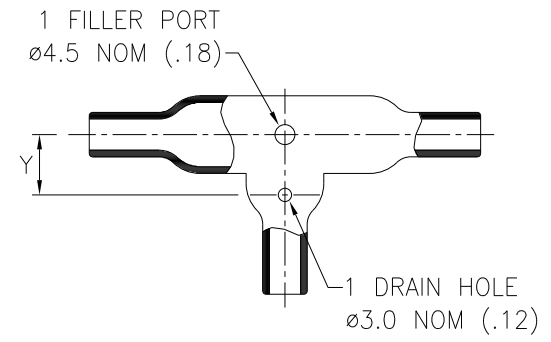
BS 8888

DO NOT SCALE  
IF IN DOUBT ASK

Q.A.	H/S SETT
H/S Q.A.	REL. INSP.
H/S PROD	EXT.ISS.CODE 2



OPTION TO STANDARD PART  
FILLER PORT (CODE P)



SPEC.	PART NO.	EXPANDED DIAMETERS (AS SUPPLIED)			RECOVERED DIAMETERS				RECOVERED DIMENSIONS					
		øh	øj	øk	øH	øJ	øK	øM	F	P	R	Hw	Jw	Kw
		MIN	MIN	MIN	MAX	MAX	MAX	MAX	±15%	±10%	±10%	±30%	±30%	±30%
VG 95343 T08A010A	1202-1	13 (.51)	13 (.51)	13 (.51)	7 (.28)	7 (.28)	7 (.28)	10 (.39)	37 (1.46)	59 (2.32)	29.5 (1.16)	1.5 (.06)	1.5 (.06)	1.5 (.06)
-	1202-2	19.1 (.75)	19.1 (.75)	15.9 (.63)	7 (.28)	7 (.28)	7 (.28)	10 (.39)	37 (1.46)	59 (2.32)	29.5 (1.16)	1.5 (.06)	1.5 (.06)	1.5 (.06)
-	*1202-7	14 (.55)	14 (.55)	14 (.55)	7 (.28)	7 (.28)	7 (.28)	10 (.39)	37 (1.46)	59 (2.32)	29.5 (1.16)	1.5 (.06)	1.5 (.06)	1.5 (.06)

OPTIONAL FILLER PORT DETAIL		
SPEC.	PART NO.	RECOVERED DIMENSIONS
		Y
		NOM
-	1202-1	10 (.39)
-	1202-2	10 (.39)
-	*1202-7	10 (.39)

2	P1312	D.COUCH	06/07/10
1	P1181	S.Almond	13/03/08
ISSUE	NOTE No.	DRAWN	DATE

**HellermannTyton**

*Pennycross Close, Plymouth, Devon, England*  
Tel ++44 (0) 1752 701201 Fax ++44 (0) 1752 790058

NAME	S.Almond	SCALE	NTS
DATE	13/03/08	DIMS IN	mm (in)
TITLE	TEE SLEEVE		

ADHESIVE	A3	SHT. 1
	ORIGINAL SHEET SIZE 420mm x 297mm	OF 1 SHTS.
PART No.	1202	DRAWING No.
		152002