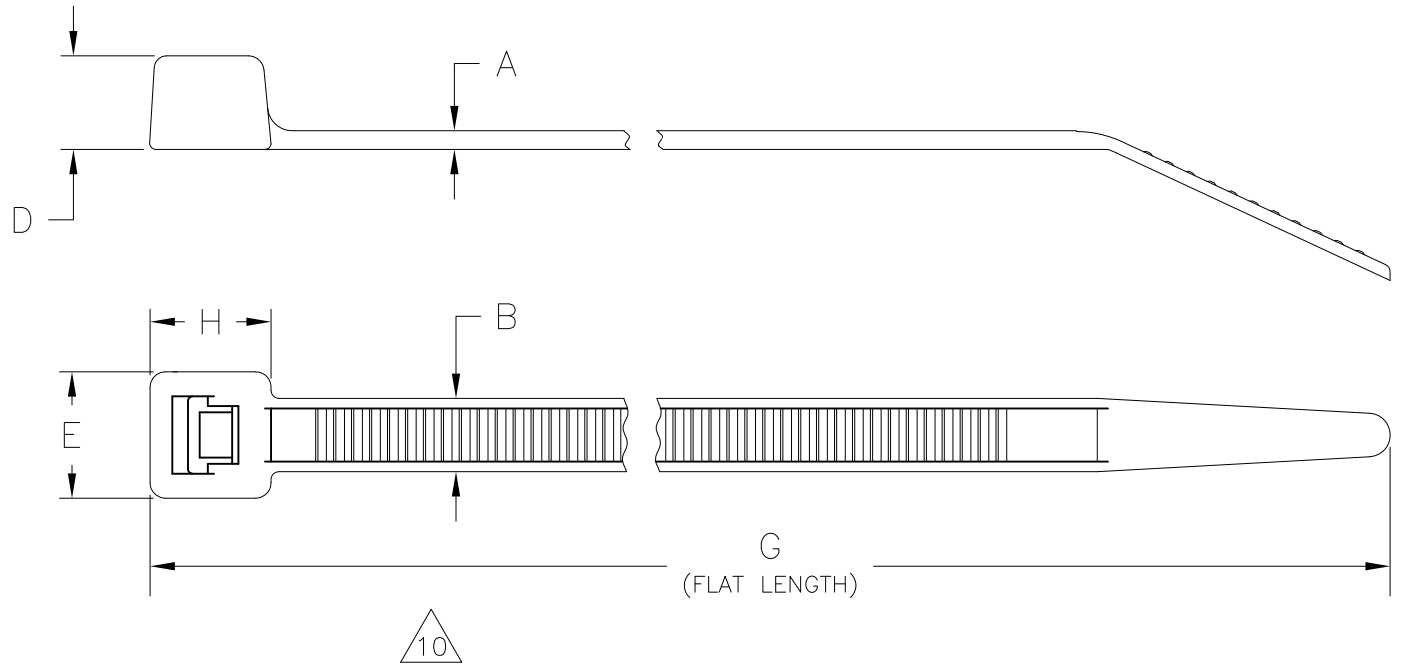


Revision level		Revision Record	Changed	Date	Approved	Date
part	drawing					
—	10	See ECN 012383	A.A.C.	06/14/13	K.A.C.	06/14/13



PRODUCT CODE DESCRIPTION

T50R\_HS  
 COLOR  
 (CONSULT FACTORY FOR AVAILABLE COLORS)

Aerospace Spec Tie SAE AS33671-1 Type 1, Class 1	Type	Cable Range (mm)	Material	A	B	D	E	G	H	Min Loop Tensile Strength (newtons)
no	T50R	1.5 to 50	PA12	1.2 ±0.2	4.6±0.2	5.9 ±0.6	7.6 ±0.9	202.0 ±6.0	7.3 ±0.7	200
no			POM							
yes	T50R	1.5 to 50	PA66	1.2 ±0.2	4.6±0.2	5.9 ±0.6	7.6 ±0.9	202.0 ±6.0	7.3 ±0.7	225
no			PA66HS							
yes			PA66UV							
no			PA46							
no			PA66HIRUV							
no			PA66HIRHSUV							
no		3 to 50	PA66VO							

SEE CHART

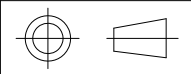
**Material**

Dimension tolerances unless otherwise specified  
 .XXXX =  
 .XXX =  
 .XX =  
 .X = NOTED  
 < =

Dimension Units mm

PERFORMANCE SPECIFICATION

ACAD MECH  
2013



Drawn J. STOLZ 2/14/96  
 Approved K.A.C. 06/14/13

Scale 2:1  
 Title

Computer File Number  
CT\CST\2050007\_10

ALL PROPRIETARY RIGHTS IN THE SUBJECT MATTER SHOWN ON THIS DRAWING ARE EXCLUSIVE PROPERTY OF HELLERMANN TYTON

**HellermannTyton**

7930 N. Faulkner Rd.  
 Milwaukee, WI 53224  
 Ph: (414) 355-1130  
 Fx: (414) 362-8338

**T50R  
 STANDARD CABLE TIE**

Drawing-No  
**CT2050007CST**

Format  
 AH  
 Sheet 1 of 1