

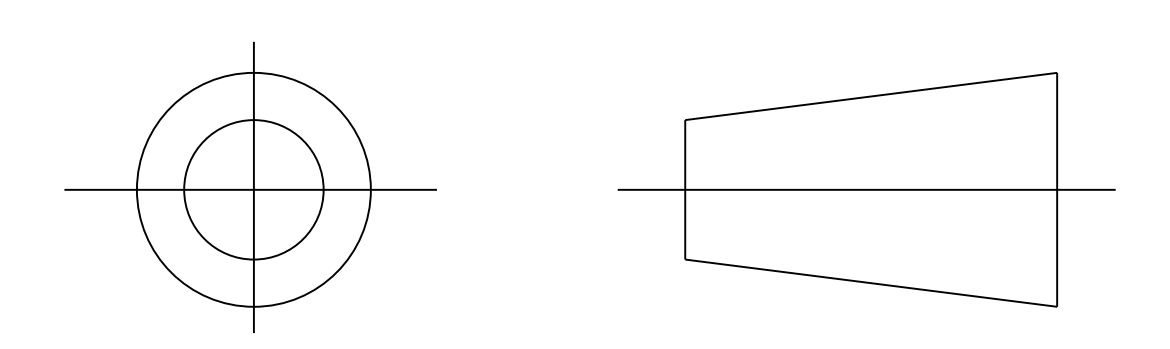
Heatshrinkable Moulded Shapes Bulbous Long Outlets HellermannTyton

DRAWING No.
152016

SHT. 1
OF
1 SHTS.

© THE COPYRIGHT OF THIS DRAWING IS RESERVED BY HELLERMANN TYTON. IT IS ISSUED ON CONDITION THAT IT IS NOT COPIED, REPRODUCED OR DISCLOSED TO A THIRD PARTY EITHER WHOLLY OR IN PART WITHOUT THE CONSENT IN WRITING OF HELLERMANN TYTON.

THIRD ANGLE PROJECTION

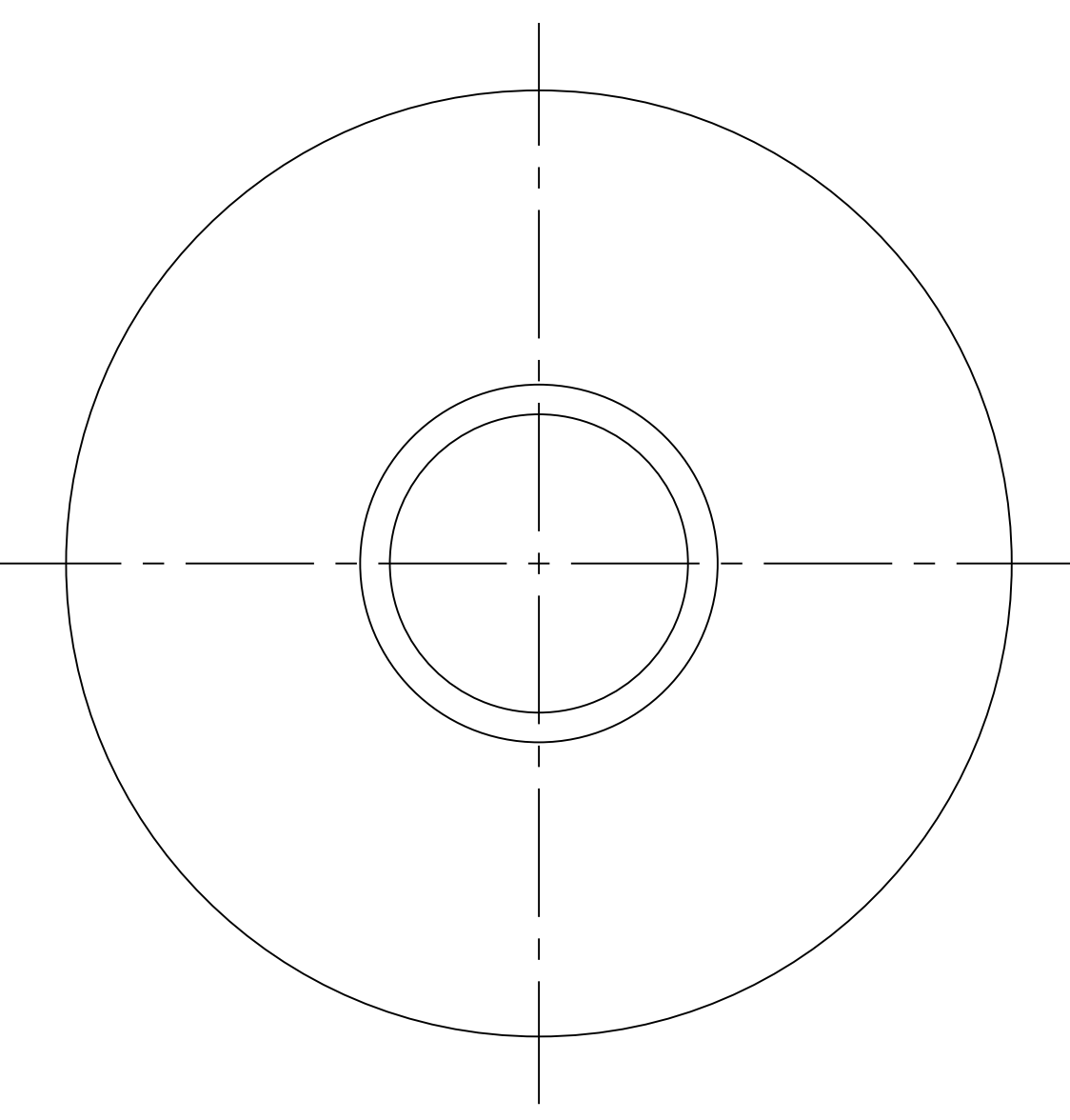
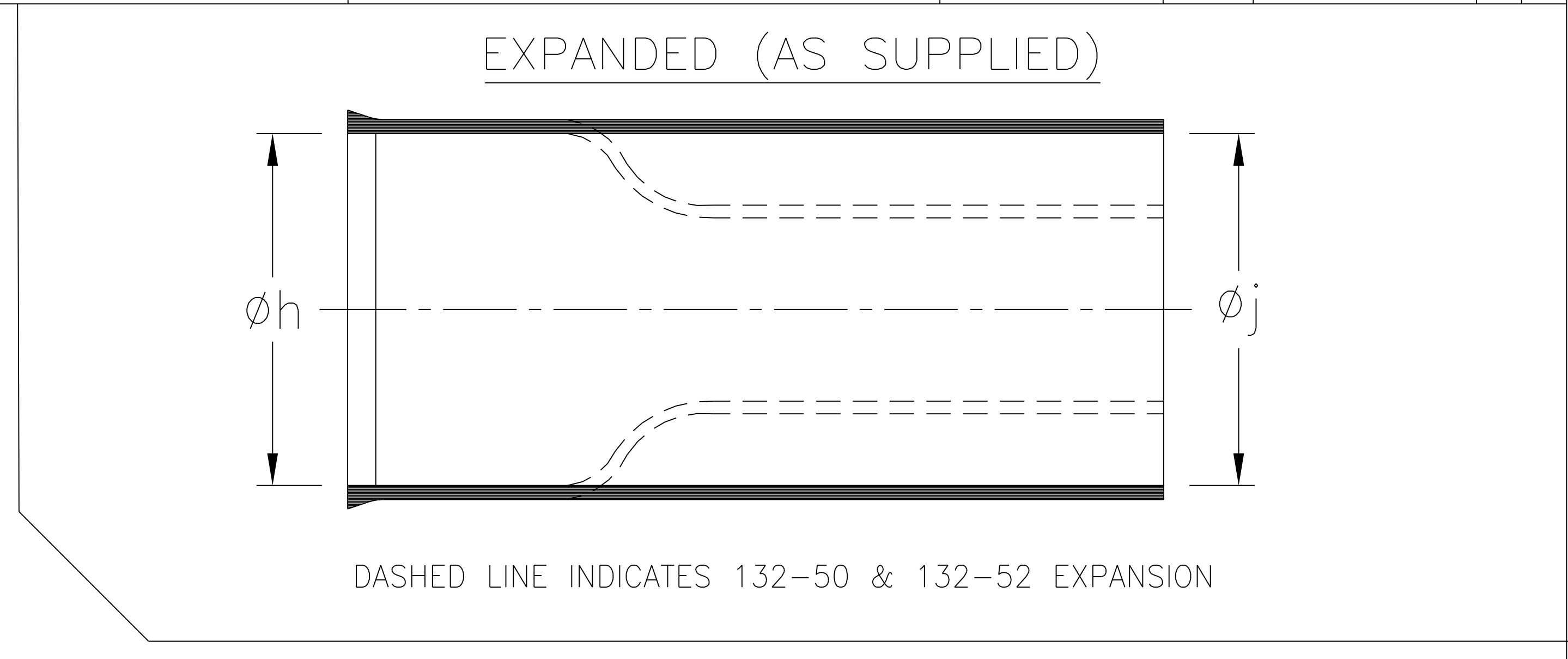
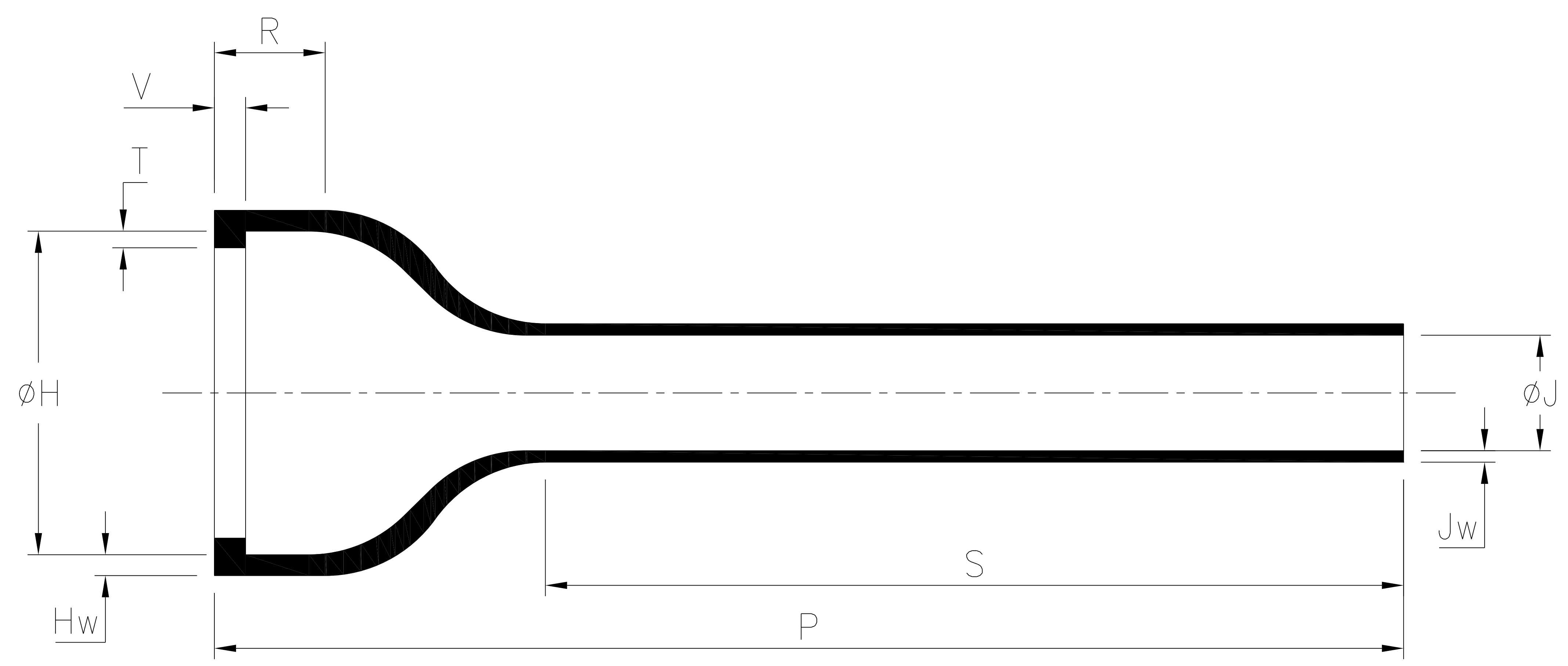


BS 8888

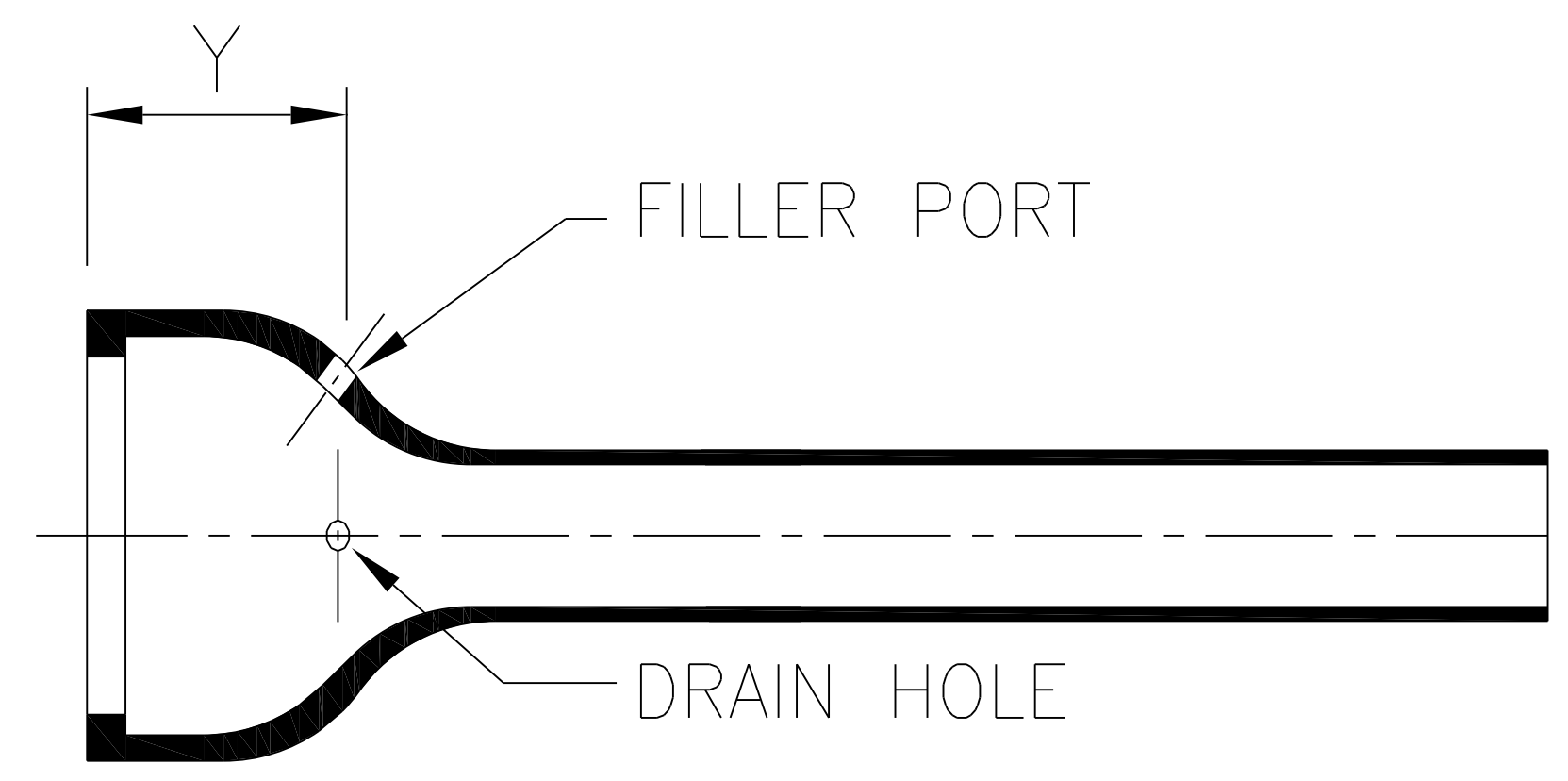
DO NOT SCALE
IF IN DOUBT ASK

Q.A.	H/S SETT
H/S Q.A.	REL. INSP.
H/S PROD	EXT. ISS. CODE

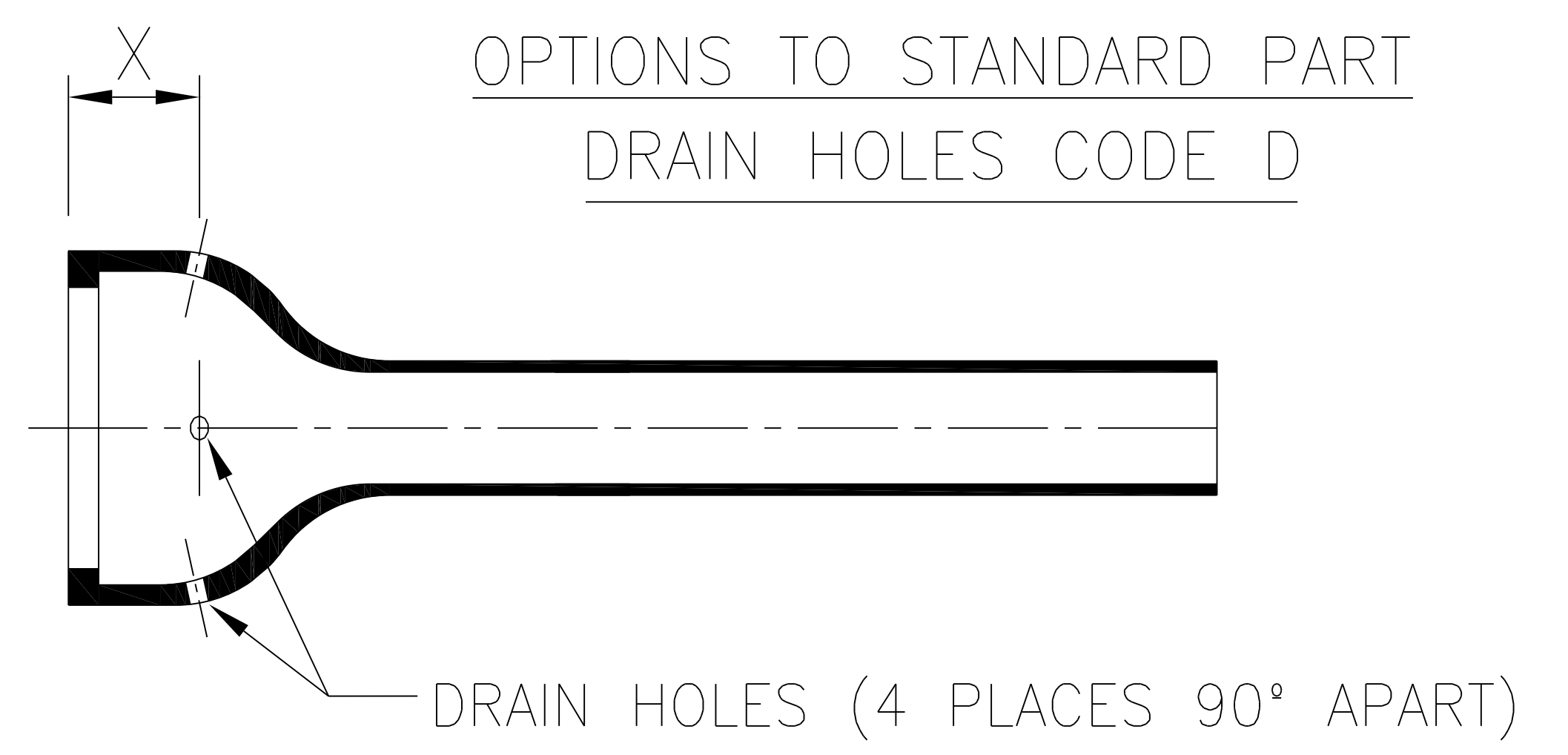
STANDARD PART (AFTER UNRESTRICTED RECOVERY)



OPTIONS TO STANDARD PART
FILLER PORT/DRAIN HOLE CODE P



OPTIONS TO STANDARD PART
DRAIN HOLES CODE D



SPEC.	PART NO.	EXPANDED DIAMETERS (AS SUPPLIED)		RECOVERED DIAMETERS		RECOVERED DIMENSIONS							
		øh	øj	øH	øJ	P	R	S	T	V	Hw	Jw	
		MIN	MIN	MAX	MAX	±10%	NOM	NOM	±20%	MAX	±20%	±30%	±20%
VG 95343 T06D004A	132-1	34 (1.34)	34 (1.34)	23 (.91)	10 (.39)	102 (4.02)	12 (.47)	73 (2.87)	1.0 (.04)	3.3 (.13)	1.8 (.07)	1.1 (.04)	-
-	132-2	34 (1.34)	34 (1.34)	22.9 (.90)	9.7 (.38)	35 (1.38)	12.2 (.48)	6 (.24)	1.0 (.04)	3.3 (.13)	1.8 (.07)	1.1 (.04)	-
-	132-3	34 (1.34)	34 (1.34)	22.9 (.90)	9.7 (.38)	60 (2.36)	12.2 (.48)	31 (1.22)	1.0 (.04)	3.3 (.13)	1.8 (.07)	1.1 (.04)	-
MIL SPEC	132-4	34 (1.34)	34 (1.34)	22.9 (.90)	9.7 (.38)	159.5 (6.28)	12.2 (.48)	130.5 (5.14)	1.0 (.04)	3.3 (.13)	1.8 (.07)	-	1.1 (.04)
-	132-44	34 (1.34)	34 (1.34)	23 (.91)	10 (.39)	76.2 (3.00)	12 (.47)	47.2 (1.86)	1.0 (.04)	3.3 (.13)	1.8 (.07)	1.1 (.04)	-
-	132-46	34 (1.34)	34 (1.34)	23 (.91)	10 (.39)	44.4 (1.75)	12 (.47)	15.4 (.61)	1.0 (.04)	3.3 (.13)	1.8 (.07)	1.1 (.04)	-
-	132-50	34 (1.34)	19.4 (.76)	23 (.91)	10 (.39)	102 (4.02)	12 (.47)	73 (2.87)	1.0 (.04)	3.3 (.13)	1.8 (.07)	1.1 (.04)	-
-	132-52	34 (1.34)	19.4 (.76)	23 (.91)	10 (.39)	159.5 (6.28)	12 (.47)	130.5 (5.14)	1.0 (.04)	3.3 (.13)	1.8 (.07)	1.1 (.04)	-

OPTIONAL FILLER PORT/DRAIN HOLES DETAIL			
SPEC.	PART NO.	RECOVERED DIMENSION	
		X	Y
		±10%	±10%
VG 95343 T07D004A	132-1	-	16 (.63)
-	132-2	-	15.7 (.62)
-	132-3	-	15.7 (.62)
MIL SPEC	132-4	11.9 (0.47)	15.7 (0.62)
-	132-44	-	16 (.63)
-	132-46	-	16 (.63)
-	132-50	-	16 (.63)
-	132-52	11.9 (0.47)	15.7 (0.62)

CODE & TYPE		RECOVERED HOLE DETAILS
P	FILLER PORT/DRAIN HOLE	FILLER PORT = ø4.5mm NOM (.18) DRAIN HOLE = ø3.0mm NOM (.12)
D	DRAIN HOLES	ALL 4 HOLES ø3mm NOM (.12)

Heatshrinkable Moulded Shapes Bulbous Long Outlets HellermannTyton

For information only, not subject to technical changes.

5	P1500	DC	9/3/2015
4	P1459	CB	16/05/14
3	P1391	CM	16/08/12
2	P1342	DJC	10/5/11
1	P1183	S.Almond	18/03/08
ISSUE	NOTE No.	DRAWN	DATE

HellermannTyton
William Prance Road,
Plymouth International Med. & Tech. Park,
Plymouth, PL6 5WR
Tel ++44 (0) 1752 701261
Fax ++44 (0) 1752 790058

NAME	S.Almond	SCALE	NTS	ADHESIVE	A3 ORIGINAL SHEET SIZE 420mm x 297mm	SHT. 1 OF 1 SHTS.
DATE	18/03/08	DIMS IN	mm (in)			
TITLE	BOTTLE SLEEVE			PART No.	DRAWING No.	
				132	152016	