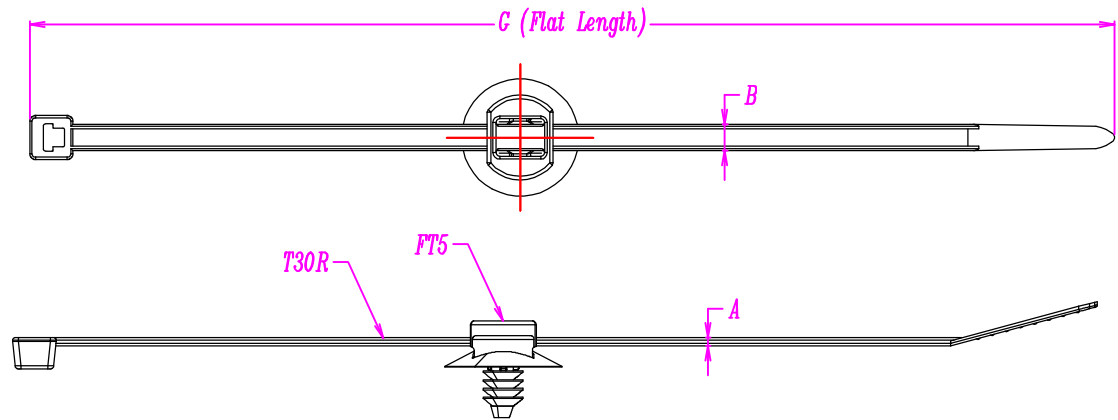
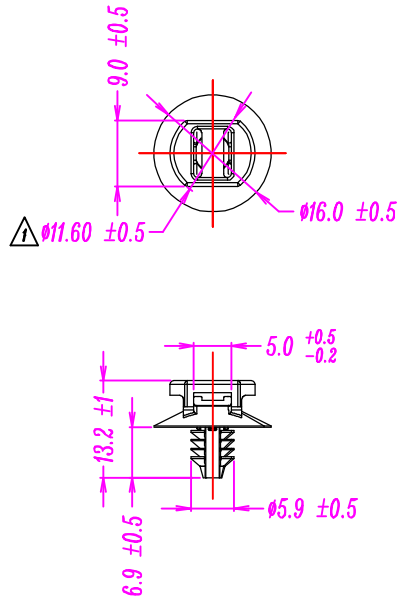


Revision Level		Revision Record	Changed	Date	Approval	Date
Part	Drawing					
	1	Add material: P.A. 46; Dimension adjustment 11.6 ±0.5	Mandy Ong	21-Mar-12	Edward Tan	21-Mar-12
	2	Updated pictogramme.	SIMON NG	12-Mar-15	Edward Tan	12-Mar-15
	2.1	Material: P.A. 46; have been removed from this drawing. New drawing for PA 46 material have been created, with a new drawing name T30RFT6HR [SG15018-00].	SIMON NG	12-Mar-15	Edward Tan	12-Mar-15
	3	Correct typo error from $\phi 4.5 \pm 5.0\text{mm}$ to $\phi 4.5 \sim \phi 5.0\text{mm}$.	SIMON NG	06-Oct-15	Edward Tan	06-Oct-15
	4	Updated pictogramme and drawing template.	SIMON NG	30-July-19	Edward Tan	30-July-19
	4.1	Added HT Global project Number.	SIMON NG	30-July-19	Edward Tan	30-July-19
	4.2	Removed tie head dimensions "D" "E" "H".	SIMON NG	30-July-19	Edward Tan	30-July-19



A	B	G
1.1 ± 0.2	3.5 ± 0.2	150 ± 5

Hole Size :
 3 $\phi 4.5 \sim \phi 5.0\text{mm}$

Panel Thickness :
 0.7 ~ 3.0mm

Material

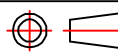
P.A. 66



Tensile strength

135N (Minimum)

PERFORMANCE SPECIFICATION



Drawn MANDY ONG 07 April 2008
 Approved. EDWARD TAN 07 April 2008

Scale: 1 : 1

Reference:

The copyright of this drawing is reserved by HELLERMANN TYTON. It is issued on condition that it is not reproduced, copied or disclosed to a third party, either wholly or in part, without the consent of HELLERMANN TYTON.

HellermannTyton

545, Yishun Industrial Park A
 Yishun Avenue 7
 Singapore 768741
 Tel: (+65) 6852 8585
 Fax: (+65) 6756 6798

Title

T30RFT5

Drawing-No [SG08006-04]

94-0055-004-CSH



Format

A4

Sheet 1 of 1

Uncontrolled Document